

CONTACT US

QUALITY
ASSURANCE

联系我们
CONTACT US

浙江荣成工具有限公司

ZHEJIANG RONG CHENG TOOLS CO.,LTD

地址:浙江省乐清市清江镇上埠头

Add: Shangbutou, Qingjiang, Yueqing, Zhejiang, PR.China.

邮编(PC.)325611

网址:(Web):<http://www.zjrctools.com>

邮箱(E-mail):info@zjrctools.com

出口部

(Export Department):

电话(Tel.):86-577-62271200 传真(Fax):86-577-62276882

邮箱(E-mail):sales@rctools.sina.net

木工刀销售部

(Router Bits Department):

电话(Tel.):86-577-62272200 传真(Fax):86-577-62272637

邮箱(E-mail):jinyongan@rctools.sina.net

支罗钻, 扁钻, 合金平翼钻分厂

(Auger bits, Spade bits, Forstner drill bits with carbide tips branch factory)

乐清市恒创工具有限公司

电话:86-577-62271200 传真:0577-62276882

邮箱(E-mail):chen@zjrctools.com

电锤钻, 凿子, 平翼钻分厂

(SDS drill bits, Forstner drill bits, Chisels, Forstner drill bits branch factory)

乐清市恒利工具厂

电话(TEL):86-577-62291327 传真(FAX):86-577-62292597

邮箱(E-MAIL):henglitools@163.net

样本所载述的产品资料以实物为准,若有变更恕不另行通知,
浙江荣成工具有限公司拥有最终解释权。

RONG CHENG TOOLS



RAIL & STILE BITS SET
ROUTER BIT SET
ROUTER BIT
SDS DRILL BITS
CORE DRILL BITS



浙江荣成工具有限公司
Zhejiang Rongcheng Tools Co., Ltd.

GLASS DRILL BIT
CHISELS
FORSTNER BITS
AUGER BIT
FLAT WOOD BIT

RONG CHENG TOOLS

COMPANY PROFILE

公司简介

COMPANY HAS A LONG HISTORY

公司历史悠久

浙江荣成工具有限公司成立于1992年,是中国最大的专业工具制造公司之一。公司拥有员工500名,占地70000平方米。

Zhejiang Rongcheng Tools Co., Ltd. was established in 1992, has a staff of 500, covers an area of 70,000 square meters.



PROFESSIONAL PRODUCT

产品专业

公司专业生产 and 出口木工刀,电锤钻,支罗钻,扁钻,平翼钻,凿子,开孔器,玻璃钻,硬质合金等工具产品

The company specializes in the production and export of router bits,SDS drill bits, auger bits, spade bits, forstner drill bit, chisels, core drill bits, glass drill bit, masonry drill bit, T.C, T carbide ,etc



EXPORT MARKET

出口市场

超过90%的产品出口到世界各地,特别是北美洲、欧洲、澳洲和亚洲

More than 90% of the products are exported to all over the world, especially North America, Europe Continent, Australia and Asia

WELCOME TO CONTACT US

欢迎惠顾

公司热忱欢迎国内外客户惠顾,为客户提供优质的产品和服务。

Contact us and let us work together, share a better tomorrow.

CUSTOMIZED SERVICES

定制服务

公司提供不同的表面处理方式、包装方式、规格和柄径,满足客户个性化需求。

The company can provide different surface treatment, package, sizes to meet customer's requirement.

QUALITY CERTIFICATION

质量认证

公司通过ISO9002国际质量体系认证,确保产品质量稳定可靠。在车、铣、刨、磨、包装过程中,产品都经过严格的检验和控制。

The company is top-quality manufactures according to highest quality standards certified to ISO900, most of employees has more than 20 years experience on this yied. All processes are strictly controlled and tested.

HIGH & NEW TECH REALIZES HIGH QUALITY
FIRST CLASS EQUIPMENT, FIRST CLASS OPERATION LEVEL
MAKES FIRST CLASS PRODUCTS



QUALITY PROFESSIONALISM

CHOICES EXPERT ADVICE

TO ENSURE THAT EVERY USER IS ABLE TO EASILY AND RELIABLY IDENTIFY THE SOLUTION BEST SUITED TO THEIR NEEDS, OUR PRODUCTS ARE EVOLVING FOR ENHANCED READABILITY AND EASY IDENTIFICATION OF THEIR INTENDED USE.

PERFECTION, IS THE IDEAL OF DETAILS
PERFECTION, IS THE CHALLENGE TO TECH.

LET TECHNOLOGY BUILD THE SPIRIT OF PRODUCTS, LET TECHNOLOGY INSPECT THE STANDARD OF PRODUCTS; LET TECHNOLOGY ENSURE THE QUALITY OF PRODUCTS.



目录

ZHEJIANG RONG CHENG TOOLS CO.,LTD
CONTENTS
RONG CHENG TOOLS

RAIL & STILE BITS SET P.1
套装榫合刀

ROUTER BIT SET P.5
套装木工刀

ROUTER BIT P.33
单支木工刀

SDS DRILL BITS P.56
电锤钻

GLASS DRILL BIT P.62
玻璃陶瓷钻

CORE DRILL BITS P.70
墙壁开孔器

CHISELS P.71
钢凿

FORSTNER BITS P.76
平翼钻

AUGER BIT P.82
支罗钻

SPADE BIT P.91
扁钻

FORSTNER BITS

AUGER BIT

SPADE BIT

BETTER QUALITY, BETTER REPUTATION
优于品质 丰于口碑

RCI RONG CHENG TOOLS

RAIL & STILE BITS SET
WOODWORKING KNIFE



Art.No.:RC-002RS1 2件套榫合刀 2pcs Rail & Stile Bits Set

可逆圆角榫合刀 Reversible Cove Rail&Stile Bits 1/2"×1-5/8"

圆角门板刀 Cove Raised Panel Bits 1/2"×3"



Art.No.:RC-002RS2 2件套榫合刀 2pcs Rail & Stile Bits Set

可逆户西榫合刀 Ogee Rail & Stile Bits 1/2"×1-5/8"

户西门板刀 Ogee Raised Panel Bits 1/2"×3"



Art.No.:RC-002RS3 2件套榫合刀 2pcs Rail & Stile Bits Set

可逆门斗榫合刀 Reversible Classical Rail & Stile Bits 1/2"×1-5/8"

户西门板刀 Ogee Raised Panel Bits 1/2"×3"

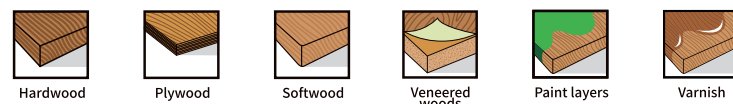


Art.No.:RC-002RS4 2件套扶手刀 2pcs Handrail & Finger Bits Set

瓶芦型线刀 Handrail Bits 1/2"×1-1/8"

扶手板刀 Finger Grip Bits 1/2"×3-1/8"

THE WOODWORKING KNIFE, COMPOSED OF A SHARP BLADE AND A COMFORTABLE HANDLE, IS A SPECIALIZED TOOL FOR WOODWORKING PROCESSES.



Art.No.:RC-003RS1 3件套榫合刀 3pcs Rail & Stile Bits Set

圆角榫合刀 Cove Rail & Stile Bits	1/2" × 1-5/8"
圆角门板刀 Cove Raised Panel Bits	1/2" × 3"



Art.No.:RC-003RS2 3件套榫合刀 3pcs Rail & Stile Bits Set

跳桌榫合刀 Coverail&Stile Bits	1/2" × 1-19/64"
双层圆角门板刀 Cove Raised Panel Bits W/Under Cutter	1/2" × 2-1/2"



Art.No.:RC-003RS3 3件套榫合刀 3pcs Rail & Stile Bits Set

户西榫合刀 Roman Ogee Rail & Stile Bits	1/2" × 1-5/8"
户西门板刀 Roman Ogee Raised Panel Bits	1/2" × 3"



Art.No.:RC-003RS4 3件套榫合刀 3pcs Rail & Stile Bits Set

斜边榫合刀 Beveled Rail & Stile Bits	1/2" × 1-5/8"
15°清底马鼻刀 15°Face Cut Raised Panel Bits	1/2" × 3-1/8"



Art.No.:RC-003RS5 3件套榫合刀 3pcs Rail & Stile Bits Set

户西榫合刀 Roman Ogee Rail & Stile Bits	1/2" × 1-5/8"
户西板型刀 Roman Ogee Vertical Panel Bits	1/2" × 1-1/2"



Art.No.:RC-004RS1 4件套榫合刀 4pcs Rail & Stile Bits Set

户西榫合刀 Roman Ogee Rail & Stile Bits	1/2" × 1-5/8"
户西门板刀 Roman Ogee Raised Panel Bits	1/2" × 3"
榫合刀 Reversible Clue Bits	1/2" × 1-3/16"



Art.No.:RC-005RS1 5件套榫合刀 5pcs Rail & stile Bits Set

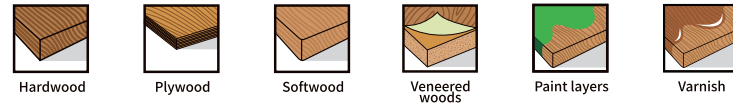
户西榫合刀 Roman Ogee Rail & Stile Bits	1/2" × 1-5/8"
户西门板刀 Roman Ogee Raised Panel Bits	1/2" × 3-1/2"
榫合刀 Reversible clue Bits	1/2" × 1-3/4"
屈锁刀 Draw Lock Bits	1/2" × 2"



Art.No.:RC-005RS2 5件套扶手刀 5pcs Rail & Stile Bits Set

户西榫合刀 Roman Ogee Rail & Stile Bits	1/2" × 1-5/8"
双层户西门板刀 Roman Ogee Raised Panel Bits	1/2" × 3-1/2"
榫合刀 Reversible Glue Bits	1/2" × 1-3/4"
屈锁刀 Draw Lock Bits	1/2" × 2"

THE WOODWORKING KNIFE, COMPOSED OF A SHARP BLADE AND A COMFORTABLE HANDLE, IS A SPECIALIZED TOOL FOR WOODWORKING PROCESSES.



Art.No.:RC-005RS3 5件套榫合刀 5pcs Rail & Stile Bits Set

圆角榫合刀 Cove Rail & Stile Bits	1/2"×1-5/8"
圆角门板刀 Cove/Ogee Raised Panel Bits	1/2"×3"
榫合刀 Reversible Glue Bits	1/2"×1-3/4"
屈锁刀 Draw Lock Bits	1/2"×2"



Art.No.:RC-005RS4 5件套榫合刀 5pcs Rail & Stile Bits Set

三珠饰刀 Triple Bead	1/2"×7/8"
正半多弧刀 Small Bead & Radius Bits	1/2"×1-1/4"
魔术刀 Multiform Bits	1/2"×2-1/4"
圆角敏仔刀 French Provincial Bits	1/2"×2"
半圆玻线刀 Specialty Molding Bits	1/2"×1-3/8"



Art.No.:RC-005RS5 5件套榫合刀 5pcs Rail & Stile Bits Set

圆角榫合刀 Cove Rail & Stile Bits	1/2"×1-5/8"
户西门板刀 Roman Ogee Raised Panel Bits	1/2"×3"
榫合刀 Reversible Glue Bits	1/2"×1-3/4"
圆角榫刀 Droop Lip Bits	1/2"×2"



Art.No.:RC-005RS6 5件套榫合刀 5pcs Rail & Stile Bits Set

圆角榫合刀 Cove Rail & Stile Bits	1/2"×1-5/8"
户西门板刀 Roman Ogee Raised Panel Bits	1/2"×3"
榫合刀 Reversible Glue Bits	1/2"×1-3/4"
魔术刀 Multiform Bits	1/2"×2-1/4"



Art.No.:RC-006RS1 6支装木工铣刀 6pcs Router Bit Set

榫合刀 Ogee Rail & Stile Bit	1/2"×1-5/8"
门板刀 Ogee Panel Bit W/Undercutter	1/2"×3-1/8"
榫合刀 Glue Joint Bit	1/2"×1-3/4"
屈锁刀 Draw Lock Bit	1/2"×2"
钩型清底刀 Door Lip Bit	1/2"×1-1/4"



Art.No.:RC-010M 10支装木工铣刀 10pcs Router Bit Set

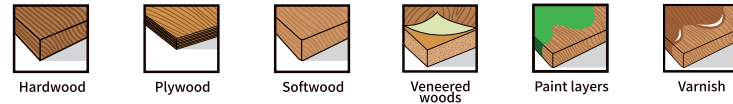
二弧深圆底刀 Double Round Nose Bit	1/2"×3/16"×1-3/8"
鱼型扶手刀 Fish Handrail Bit	1/2"×1/4"×1-5/8"
双叶扶手刀 Interest Moulding Bit	1/2"×3/16"×1-3/8"
半弧典雅刀 Classical Molding Bit	1/2"×5/16"×15/16"
海湾线脚刀 Edge Beading Bits	1/2"×1/4"×7/8"
半圆玻线刀 Special Molding Bit	1/2"×1/2"×1-5/8"
滴珠扶手刀 Handrail Bits	1/2"×3/16"×1-1/2"
扶手刀 Handrail Bits	1/2"×1/2"×1-1/2"
扶手刀 Handrail Bits	1/2"×3/16"×1"
鱼尾扶手刀 Handrail Bit	1/2"×1/4"×1-11/16"



Art.No.:RC-003M 3支装木工铣刀 3pcs Router Bit Set

6(12) 边刀6 (12) Multi-sides Bit	1/2"×1-3/8"
8边刀 8 Multi-Sides Bit	1/2"×1-1/8"
16边刀 16 Multi-sides Bit	1/2"×1-1/4"

THE WOODWORKING KNIFE, COMPOSED OF A SHARP BLADE AND A COMFORTABLE HANDLE, IS A SPECIALIZED TOOL FOR WOODWORKING PROCESSES.



Art.No.:RC-004K 4支装木工铣刀 4pcs Router Bit Set

修边刀 Flush Trim Bit	1/4" × 25.4 × 12.7mm
直刀 Straight Bit	1/2" × 50 × 12.7mm
直刀 Straight Bit	1/2" × 50 × 12.7mm
直刀 Straight Bit	1/2" × 63 × 12.7mm



Art.No.:RC-005D 5支装木工铣刀 5pcs Router Bit Set

圆底刀 Core Box Bit	R3/16"
子口榫刀 Dovetail Bit	1/2"
修边刀 Flush Trim Bit	1/2"
圆角刀 Round Over Bit	R1/4"
直刀 Straight Bit	1/4"



Art.No.:RC-004Y 4支装木工铣刀 4pcs Router Bit Set

圆角刀 Round Over Bit	R1/8"
圆角刀 Round Over Bit	R1/4"
圆角刀 Round Over Bit	R3/8"
圆角刀 Round Over Bit	R1/2"



Art.No.:RC-005G 5支装木工铣刀 5pcs Router Bit Set(G)

直刀 Straight Bit	6mm
直刀 Straight Bit	10mm
直刀 Straight Bit	10mm
修边刀 Flush Trim Bit	9mm
圆角刀 Round Over Bit	R12.7mm



Art.No.:RC-005A 5支装木工铣刀 5pcs Router Bit Set

直刀 Straight Bit	3/4"
子口榫刀 Dovetail Bit	1/2"
榫刀 Mortising Bit	1/2"
槽口刀 Slot Cutter Bit	3/8"
倒角刀 Cove Bit	R1/2"



Art.No.:RC-005B 5支装木工铣刀 5pcs Router Bit Set

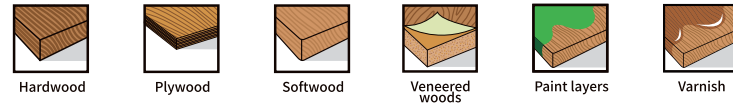
直刀 Straight Bit	1/2"
90° "V" 型刀 90° "V" Grooving Bit	3/8"
圆底刀 Core box Bit	R1/8"
圆角刀 Round over Bit	R1/4"
45°斜角刀 45° Chamfer Bit	1/2"



Art.No.:RC-005Z 5支装木工铣刀 5pcs Router Bit Set

直刀 Straight Bit	4mm
直刀 Straight Bit	6mm
直刀 Straight Bit	8mm
直刀 Straight Bit	10mm
直刀 Straight Bit	12mm

THE WOODWORKING KNIFE, COMPOSED OF A SHARP BLADE AND A COMFORTABLE HANDLE, IS A SPECIALIZED TOOL FOR WOODWORKING PROCESSES.



Art.No.:RC-006A

6支装木工铣刀 6pcs Router Bit Set

倒角刀 Cove Bit	R6.3mm
直刀 Straight Bit	6mm
圆角刀 Round Over Bit	R6.3mm
修边刀 Flush Trim Bit	12.7mm
直刀 Straight Bit	12mm
子口荀刀 Dovetail Bit	12.7mm



Art.No.:RC-006F

6支装木工铣刀 6pcs Router Bit Set

直刀 Straight Bit	6mm
直刀 Straight Bit	12mm
圆底刀 Core Box Bit	R6.3mm
90°"V"型刀 90°"V" Grooving Bit	12.7mm
修边刀 Flush Trim Bit	12.7mm
圆角刀 Round Over Bit	R9.5mm

Art.No.:RC-006Z

6支装木工铣刀 6pcs Router Bit Set

直刀 Straight Bit	4mm
直刀 Straight Bit	6mm
直刀 Straight Bit	8mm
直刀 Straight Bit	10mm
直刀 Straight Bit	12mm
直刀 Straight Bit	14mm



Art.No.:RC-006B

6支装木工铣刀 6pcs Router Bit Set

直刀 Straight Bit	1/4"
直刀 Straight Bit	1/2"
子口荀刀 Dovetail Bit	1/2"
修边刀 Flush trim Bit	1/2"
敏仔刀 Beading Bit	R3/8"
倒角刀 Cove Bit	R1/2"

Art.No.:RC-006KC

6支装木工铣刀 6pcs Router Bit Set

直刀 Straight Bit	6mm
子口荀刀 Dovetail Bit	14.3mm
90°"V"型刀 90°"V" Grooving Bit	16mm
圆角刀 Round Over Bit	R6.3mm
倒角刀 Cove Bit	R6.3mm
户西线刀 Roman Ogee Bit	R4mm



Art.No.:RC-006E

6支装木工铣刀 6pcs Router Bit Set

直刀 Straight Bit	1/2"
直刀 Straight Bit	1/4"
子口荀刀 Dovetail Bit	1/2"
户西线刀 Roman Ogee Bit	R5/32"
倒角刀 Cove Bit	R1/4"
圆角刀 Round Over Bit	R1/4"

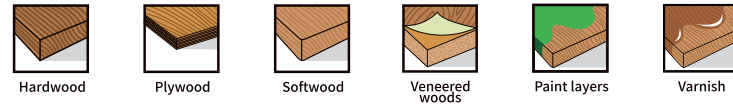
Art.No.:RC-006CS

6件套木工铣刀 6pcs Router Bit Set

直刀 Straight Bit	1/4"
直刀 Straight Bit	3/8"
直刀 Straight Bit	1/2"
"V"型刀 "V" Groove Bit	3/8"
圆角刀 Round Over Bit	R1/4"
户西线刀 Roman Ogee Bit	5/32"



THE WOODWORKING KNIFE, COMPOSED OF A SHARP BLADE AND A COMFORTABLE HANDLE, IS A SPECIALIZED TOOL FOR WOODWORKING PROCESSES.



Art.No.:RC-008A 8支装木工铣刀 8pcs Router Bit Set

直刀 Straight Bit	1/4"
直刀 Straight Bit	1/2"
修边刀 Flush Trim Bit	1/2"
子口荀刀 Dovetail Bit	1/2"
槽口刀 Slot Cutter Bit	1-1/4"
45°斜角刀 45°Chamfer Bit	1-3/16"
圆角刀 Round Over Bit	R-3/8"
匙孔刀 Keyhole Bit	3/8"



Art.No.:RC-008RT 8支装木工铣刀 8pcs Router Bit Set

直刀 Straight Bit	1/4"
直刀 Straight Bit	3/8"
直刀 Straight Bit	1/2"
圆底刀 Core Box Bit	R1/4"
修边刀 Flush Trim Bit	1/2"
圆角刀 Round Over Bit	R3/8"
倒角刀 Cove Bit	R1/4"
户西线刀 Roman Ogee Bit	R5/32"



Art.No.:RC-010A 10支装木工铣刀 10pcs Router Bit Set

圆底刀 Cove Box Bit	R6.3mm
倒角刀 Cove Bit	R6.3mm
子口荀刀 Dovetail Bit	12.7mm
90°"V"型刀 90°"V"Grooving Bit	12.7mm
户西线刀 Roman Ogee Bit	R4mm
圆角刀 Round Over Bit	R6.3mm
直刀 Straight Bit	16mm
直刀 Straight Bit	12mm
直刀 Straight Bit	6mm
修边刀 Flush Trim Bit	12.7mm



Art.No.:RC-010B 10件套木工铣刀 10pcs Router Bit Set

直刀 Straight Bit	1/2"
直刀 Straight Bit	3/4"
子口刀 Dovetail Bit	1/2"
90°"V"型刀 90°"V"Grooving Bit	90°5/8"
圆底刀 Cove Box Bit	3/8"
45°斜角刀 45°Chamfer Bit	45°1"
户西线刀 Roman Ogee Bit	R1/4"
倒角刀 Cove Bit	R1/2"
圆角刀 Round Over Bit	R1/2"
敏仔刀 Beading Bit	R3/8"



Art.No.:RC-010KC 10件套木工铣刀 10 pcs Router Bit Set(KC)

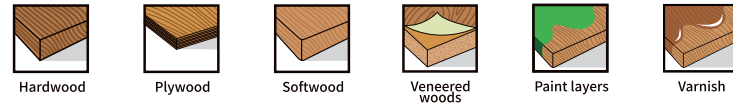
直刀 Straight Bit	6mm
直刀 Straight Bit	12mm
直刀 Straight Bit	16mm
圆底刀 Core Box Bit	R6mm
子口荀刀 Dovetail Bit	14.3mm
90°"V"型刀 90°"V" Grooving bit	16mm
修边刀 Flush trim bit	12.7mm
圆角刀 Round over bit	R6.3mm
倒角刀 Cove bit	R6.3mm
户西线刀 Roman ogee bit	R4mm



Art.No.:RC-012A 10支装木工铣刀 10pcs Router Bit set

清底刀 Bottom Cleaning Bit	8mm
清底刀 Bottom Cleaning Bit	16mm
圆底刀 Core Bo× Bit	R6mm
60° "V" 型刀 60° "V" Grooving Bit	15mm
子口荀刀 Dovetail Bit	16mm
修边刀 Flush Trim Bit	19mm
45°斜角刀 45°Chamfer Bit	27mm
圆角刀 Round Over Bit	R10mm
圆角刀 Round Over Bit	R6mm
倒角刀 Cove Bit	R10mm
倒角刀 Cove Bit	R6mm
户西线刀 Roman Ogee Bit	R6.4mm

THE WOODWORKING KNIFE, COMPOSED OF A SHARP BLADE AND A COMFORTABLE HANDLE, IS A SPECIALIZED TOOL FOR WOODWORKING PROCESSES.



Art.No.:RC-012B

12 支装木工铣刀 12pcs Router Bit set

直刀 Straight Bit	6mm
直刀 Straight Bit	12mm
直刀 Straight Bit	16mm
90° "V" 型刀 90° "V" Grooving Bit	12.7mm
子口荀刀 Dovetail Bit	12.7mm
45°斜角刀 45° Chamfer Bit	32mm
修边刀 Flush Trim Bit	12.7mm
圆角刀 Round Over Bit	R6.3mm
圆角刀 Round Over Bit	R9.5mm
圆底刀 Core Box Bit	R6.3mm
倒角刀 Cove Bit	R6.3mm
户西线刀 Roman Ogee Bit	R4mm



Art.No.:RC-012E

12 支装木工铣刀 12pcs Router Bit Set

90° "V" 型刀 90° "V" Grooving Bit	1/2"
子口荀刀 Dovetail Bit	1/2"
直刀 Straight Bit	3/8"
直刀 Straight Bit	1/4"
直刀 Straight Bit	1/2"
敏仔刀 Beading Bit	R1/4"
倒角刀 Cove Bit	R1/4"
修边刀 Flush Trim Bit	1/2"
圆角刀 Round Over Bit	R1/4"
户西线刀 Roman Ogee Bit	R5/32"
45° 斜角刀 45° Chamfer Bit	1/2"
圆角刀 Round Over Bit	R3/8"



Art.No.:RC-012D

12 支装木工铣刀 12pcs Router Bit Set

清底刀 Bottom Cleaning Bit	8mm
清底刀 Bottom Cleaning Bit	16mm
修边刀 Flush Trim Bit	12.7mm
圆底刀 Core Box Bit	R6mm
子口荀刀 Dovetail Bit	14.3mm
60° "V" 型刀 60° "V" Grooving Bit	15mm
45° 斜角刀 45° Chamfer Bit	27mm
圆角刀 Round Over Bit	R6mm
倒角刀 Cove Bit	R6mm
圆角刀 Round Over Bit	R10mm
倒角刀 Cove Bit	R10mm
户西线刀 Roman Ogee Bit	R6.4mm



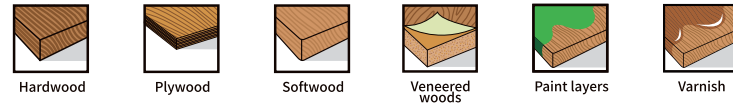
Art.No.:RC-012U

12 支装木工铣刀 12pcs Router Bit Set

直刀 Straight Bit	3.2mm
直刀 Straight Bit	6mm
直刀 Straight Bit	12mm
直刀 Straight Bit	16mm
圆底刀 Core Box Bit	R6.3mm
90° "V" 型刀 90° "V" Grooving Bit	9.5mm
90° "V" 型刀 90° "V" Grooving Bit	12.7mm
榫刀 Mortising Bit	12.7mm
子口荀刀 Dovetail Bit	12.7mm
修边刀 Flush Trim Bit	12.7mm
倒角刀 Cove Bit	R6.3mm
圆角刀 Round Over Bit	R6.3mm



THE WOODWORKING KNIFE, COMPOSED OF A SHARP BLADE AND A COMFORTABLE HANDLE, IS A SPECIALIZED TOOL FOR WOODWORKING PROCESSES.



Art.No.:RC-012V 12支装木工铣刀 12pcs Router Bit Set

直刀 Straight Bit	3mm
直刀 Straight Bit	4mm
直刀 Straight Bit	5mm
直刀 Straight Bit	6mm
直刀 Straight Bit	8mm
直刀 Straight Bit	10mm
直刀 Straight Bit	12mm
圆底刀 Core Box Bit	R3.2mm
圆底刀 Core Box Bit	R6.3mm
90° "V" 型刀 90° "V" Grooving Bit	9.5mm
90° "V" 型刀 90° "V" Grooving Bit	12.7mm
子口榫刀 Dovetail Bit	12.7mm



Art.No.:RC-012S 12支装木工铣刀 12pcs Router Bit Set

直刀 Straight Bit	8mm
直刀 Straight Bit	14mm
修边刀 Flush Trim Bit	13mm
深圆底刀 Core Box Bit	R6mm
子口榫刀 Dovetail Bit	14.3mm
90° "V" 型刀 90° "V" Grooving Bit	16mm
45° 斜角刀 45° Chamfer Bit	28mm
圆角刀 Round Over Bit	R6mm
圆角刀 Round Over Bit	R10mm
倒角刀 Cove Bit	R6mm
槽口刀 Slot Cutter Bit	32mm
户西线刀 Roman Ogee Bit	R6.5mm



Art.No.:RC-014A 14支装木工铣刀 14pcs Router Bit Set

清底刀 Bottom Cleaning Bit	8mm
清底刀 Bottom Cleaning Bit	16mm
直刀 Straight Bit	20mm
修边刀 Flush Trim Bit	13mm
榫口刀 Rabbeting Bit	32mm
圆底刀 Core Box Bit	R6mm
子口榫刀 Dovetail Bit	14.3mm
60° "V" 型刀 60° "V" Grooving Bit	15mm
45° 斜角刀 45° Chamfer Bit	27mm
圆角刀 Round Over Bit	R6mm
倒角刀 Cove Bit	R6mm
圆角刀 Round Over Bit	R10mm
倒角刀 Cove Bit	R10mm
户西线刀 Roman Ogee Bit	R6.4mm



Art.No.:RC-015A 15支装木工铣刀 15pcs Router Bit Set

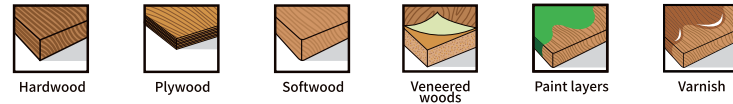
单节刀 Panel Pilot Bit	1/4"
90° "V" 型刀 90° "V" Grooving Bit	3/8"
直刀 Straight Bit	1/4"
榫刀 Mortising Bit	1/2"
直刀 Straight Bit	1/2"
直刀 Straight Bit	3/4"
修边刀 Flush Trim Bit	1/2"
子口榫刀 Dovetail Bit	1/2"
槽口刀 Slot Cutter Bit	1-1/4"
45°斜角刀 45° Chamfer Bit	1-3/16"
圆角刀 Round Over Bit	R3/8"
倒角刀 Cove Bit	R1/2"
户西线刀 Roman Ogee Bit	R5/32"
7° 整体斜角刀 7° Beveled Trim Bit (solide)	13/64"
整体修边刀 Flush Trim Bit (solide)	1/4"



Art.No.:RC-015B 15支装木工铣刀 15pcs Router Bit Set

直刀 Straight Bit	3mm
直刀 Straight Bit	6mm
直刀 Straight Bit	10mm
直刀 Straight Bit	12mm
直刀 Straight Bit	19mm
修边刀 Flush Trim Bit	9mm
圆底刀 Core Box Bit	R3mm
子口榫刀 Dovetail Bit	12.7mm
"V" 型刀 "V" Grooving Bit	12mm
"V" 型刀 "V" Grooving Bit	25mm
户西线刀 Roman Ogee Bit	R4mm
倒角刀 Cove Bit	R9.5mm
圆角刀 Round Over Bit	R9.5mm
45° 斜角刀 45° Chamfer Bit	30mm
槽口刀 Slot Cutter Bit	9.5mm×32mm

THE WOODWORKING KNIFE, COMPOSED OF A SHARP BLADE AND A COMFORTABLE HANDLE, IS A SPECIALIZED TOOL FOR WOODWORKING PROCESSES.



Art.No.:RC-015D

15支装木工铣刀 15pcs Router Bit Set

单节刀 Panel Pilot Bit	1/4"
90° "V" 型刀 90° "V" Grooving Bit	3/8"
直刀 Straight Bit	1/4"
榫刀 Mortising Bit	1/2"
直刀 Straight Bit	1/2"
直刀 Straight Bit	3/4"
修边刀 Flush Trim Bit	1/2"
子口荀刀 Dovetail Bit	1/2"
槽口刀 Slot Cutter Bit	1-1/4"
45°斜角刀 45° Chamfer Bit	1-3/16"
圆角刀 Round Over Bit	R3/8"
倒角刀 Cove Bit	R1/2"
户西线刀 Roman Ogee Bit	R5/32"
单刃直刀 Straight Bit	1/8"
圆底刀 Core Box Bit	R1/8"



Art.No.:RC-015E

15支装木工铣刀 15pcs Router Bit Set

子口荀刀 Dovetail Bit	1/2"
圆底刀 Core Box Bit	R1/8"
直刀 Straight Bit	1/4"
榫刀 Mortising Bit	1/2"
单刃直刀 Straight Bit	3/16"
90° "V" 型刀 90° "V" Grooving Bit	3/8"
户西线刀 Roman Ogee Bit	R5/32"
直刀 Straight Bit	3/4"
直刀 Straight Bit	1/2"
倒角刀 Cove Bit	R1/4"
单节刀 Panel Pilot Bit	1/4"
圆角刀 Round Over Bit	R3/8"
修边刀 Flush Trim Bit	1/2"
倒角刀 Cove Bit	R1/2"
45°斜角刀 45° Chamfer Bit	1/2"

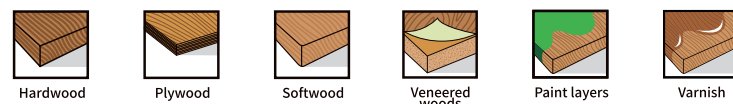


Art.No.:RC-015X

15支装木工铣刀 15pcs Router Bit Set

直刀 Straight Bit	3mm
直刀 Straight Bit	6mm
直刀 Straight Bit	12mm
直刀 Straight Bit	16mm
圆底刀 Core Box Bit	R3.2mm
圆底刀 Core Box Bit	R6.3mm
90° "V" 型刀 90° "V" Grooving Bit	12.7mm
榫刀 Mortising Bit	12.7mm
子口荀刀 Dovetail Bit	12.7mm
单节刀 Panel Pilot Bit	6.3mm
修边刀 Flush Trim Bit	12.7mm
圆角刀 Round Over Bit	R9.5mm
45°斜角刀 45° Chamfer Bit	32mm
倒角刀 Cove Bit	R6.3mm
户西线刀 Roman Ogee Bit	R4mm

THE WOODWORKING KNIFE, COMPOSED OF A SHARP BLADE AND A COMFORTABLE HANDLE, IS A SPECIALIZED TOOL FOR WOODWORKING PROCESSES.



Art.No.:RC-018A

18支装木工铣刀 18pcs Router Bit Set

直刀 Straight Bit	6mm
直刀 Straight Bit	10mm
直刀 Straight Bit	12mm
直刀 Straight Bit	16mm
圆角刀 Round Over Bit	R6.3mm
圆角刀 Round Over Bit	R7.9mm
圆角刀 Round Over Bit	R9.5mm
子口荀刀 Dovetail Bit	12.7mm
60° "V" 型刀 60° "V" Grooving Bit	9.5mm
90° "V" 型刀 90° "V" Grooving Bit	12.7mm
圆底刀 Core Box Bit	R3.2mm
圆底刀 Core Box Bit	R6.3mm
修边刀 Flush Trim Bit	12.7mm
户西线刀 Roman Ogee Bit	R4mm
25°斜角刀 25° Chamfer Bit	16mm
45°斜角刀 45° Chamfer Bit	32mm
倒角刀 Cove Bit	R6.3mm
倒角刀 Cove Bit	R9.5mm



Art.No.:RC-020D

20支装木工铣刀 20pcs Router Bit Set

直刀 Straight Bit	1/4"
直刀 Straight Bit	3/8"
直刀 Straight Bit	3/4"
直刀 Straight Bit	1/2"
子口荀刀 Dovetail Bit	3/4"
子口荀刀 Dovetail Bit	R1/4"
圆底刀 Core Box Bit	R5/16"
圆底刀 Core Box Bit	1/2"
单节刀 Panel Pilot Bit	1/2"
90° "V" 型刀 90° "V" Grooving Bit	1/2"
修边刀 Flush Trim Bit	R1/4"
户西线刀 Roman Ogee Bit	5/8"
45°斜角刀 45° Chamfer Bit	R1/8"
圆角刀 Round Over Bit	R1/4"
圆角刀 Round Over Bit	R3/8"
圆角刀 Round Over Bit	1/4"
槽口刀 Slot Cutter Bit	1/2"
槽口刀 Slot Cutter Bit	1/2"
倒角刀 Cove Bit	R5/16"
倒角刀 Cove Bit	R1/2"

Art.No.:RC-020A

20支装木工铣刀 20pcs Router Bit Set

直刀 Straight Bit	5mm × 20mm
直刀 Straight Bit	6mm × 25mm
直刀 Straight Bit	8mm × 20mm
直刀 Straight Bit	10mm × 20mm
直刀 Straight Bit	12mm × 20mm
直刀 Straight Bit	14mm × 20mm
直刀 Straight Bit	16mm × 20mm
直刀 Straight Bit	19mm × 20mm
子口荀刀 Dovetail Bit	14.3mm × 14mm
90° "V" 型刀 90° "V" Grooving Bit	12.7mm × 12.7mm
圆底刀 Core Box Bit	R6mm × 12mm
单节刀 Panel Pilot Bit	6.35mm × 19mm
深圆底刀 Round Nose Bit	R6mm × 12mm
修边刀 Flush Trim Bit	12.7mm × 12.7mm
修边刀 Flush Trim Bit	12.7mm × 25mm
槽口刀 Slot Cutter Bit	32mm × 9.5mm
45°斜角刀 45° Chamfer Bit	37mm × 16mm
圆角刀 Round Over Bit	R9.5mm × 16mm
敏仔刀 Beading	R12.7mm × 19mm
倒角刀 Cove Bit	R9.5mm × 13mm



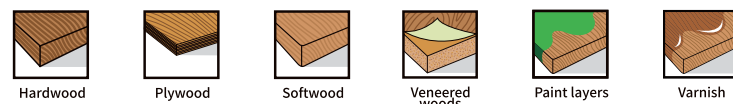
Art.No.:RC-020FA

20支装木工铣刀 20pcs Router Bit Set

直刀 Straight Bit	3,6,12,16,20mm
圆底刀 Core Box Bit	R3.2,R6.35mm
90° "V" 型刀 90° "V" Grooving Bit	12.7mm
齐头刀 Combination Bit	12.7mm
子口荀刀 Dovetail Bit	12.7mm
单节刀 Panel Pilot Bit	6.35mm
修边刀 Flush Trim Bit	9mm,12.7mm
深圆底刀 Round Nose Bit	9.5mm
倒角刀 Cove Bit	R6.35mm
圆角刀 Round Over Bit	R6.35mm
敏仔刀 Beading	R6.35mm
45°斜角刀 45° Chamfer Bit	32mm
户西线刀 Roman Ogee Bit	R4mm
榫口刀 Rabbeting Bit	28.6mm × 12.7mm



THE WOODWORKING KNIFE, COMPOSED OF A SHARP BLADE AND A COMFORTABLE HANDLE, IS A SPECIALIZED TOOL FOR WOODWORKING PROCESSES.



Art.No.:RC-024BP

24件套木工铣刀 24pcs Router Bit Set

直刀 Straight Bit	1/4"
直刀 Straight Bit	3/8"
直刀 Straight Bit	1/2"
直刀 Straight Bit	3/4"
圆底刀 Core BoX Bit	R1/2"
榫刀 Mortising Bit	1/2"
"V" 型刀 "V" Grooving Bit	1/2"
匙孔刀 Keyhole Bit	3/8"
深圆底刀 Round Nose Bit	1/4"
单节刀 Panel Pilot Bit	1/4"
户西线刀 Roman Ogee Bit	R5/32"
修边刀 Flush Trim Bit	1/2"
子口榫刀 Dovetail Bit	3/8"
子口榫刀 Dovetail Bit	1/2"
榫口刀 Rabbeting Bit	7/8"
倒角刀 Cove Bit	R1/4"
倒角刀 Cove Bit	R3/8"
斜角刀 45° Chamfer Bit	1"
圆角刀 Round Over Bit	R1/8"
圆角刀 Round Over Bit	R1/4"
圆角刀 Round Over Bit	R3/8"
圆角刀 Round Over Bit	R1/2"
半圆刀 Half Round Bit	3/16"
开口雕刻刀 Ovolo Bit	R1/4"



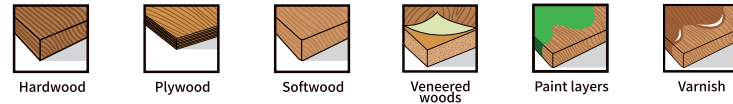
Art.No.:RC-024A

24 支装木工铣刀 24pcs Router Bit Set

榫刀 Mortising Bit	1/2"
齐头刀 Combination Bit	1/2"
子口榫刀 Dovetail Bit	3/8"
子口榫刀 Dovetail Bit	1/2"
90° "V" 型刀 90° "V" Grooving Bit	1/2"
深圆底刀 Round Nose Bit	3/8"
深圆底刀 Round Nose Bit	1/2"
斜角修边刀 trimming Bit	3/8"
单节刀 Panel Pilot Bit	1/4"
直刀 Straight Bit	1/4"
直刀 Straight Bit	3/8"
直刀 Straight Bit	1/2"
直刀 Straight Bit	3/4"
修边刀 Flush Trim Bit	1/2"
圆角刀 Round Over Bit	R1/8"
圆角刀 Round Over Bit	R3/16"
圆角刀 Round Over Bit	R1/4"
圆角刀 Round Over Bit	R3/8"
倒角刀 Cove Bit	R3/8"
倒角刀 Cove Bit	R1/4"
45°斜角刀 45°Chamfer Bit	1/2"
户西线刀 Roman Ogee Bit	R5/32"
榫口刀 Rabbeting Bit	1/4"
槽口刀 Slot Cutter Bit	1/2"



THE WOODWORKING KNIFE, COMPOSED OF A SHARP BLADE AND A COMFORTABLE HANDLE, IS A SPECIALIZED TOOL FOR WOODWORKING PROCESSES.



Art.No.:RC-030A

30支装木工铣刀 30pcs Router Bit Set

直刀 Straight Bit	5mm
直刀 Straight Bit	6mm
直刀 Straight Bit	8mm
直刀 Straight Bit	10mm
直刀 Straight Bit	12mm
直刀 Straight Bit	14mm
直刀 Straight Bit	16mm
直刀 Straight Bit	18mm
直刀 Straight Bit	20mm
子口荀刀 Dovetail Bit	12.7mm
60° "V" 型刀 60° "V" Grooving Bit	9.5mm
90° "V" 型刀 90° "V" Grooving Bit	12.7mm
圆底刀 Core Box Bit	R3.2mm
圆底刀 Core Box Bit	R6.3mm
双边门斗线条刀 Classical Bit	12.7mm
修边刀 Flush Trim Bit	12.7mm
25°斜角刀 25° Chamfer Bit	16mm
45°斜角刀 45° Chamfer Bit	32mm
户西线刀 Roman Ogee Bit	R4mm
榫口刀 Rabbeting Bit	28.6mm
倒角刀 Cove Bit	R6.3mm
倒角刀 Cove Bit	R9.5mm
圆角刀 Round Over Bit	R3.2mm
圆角刀 Round Over Bit	R6.3mm
圆角刀 Round Over Bit	R7.9mm
圆角刀 Round Over Bit	R9.5mm
敏仔刀 Beading Bit	R3.2mm
敏仔刀 Beading Bit	R6.3mm
敏仔刀 Beading Bit	R7.9mm
敏仔刀 Beading Bit	R9.5mm

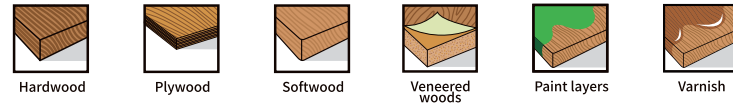


Art.No.:RC-030B

30支装木工铣刀 30pcs Router Bit Set(B)

直刀 Straight Bit	1/8"
直刀 Straight Bit	1/4"
直刀 Straight Bit	5/16"
直刀 Straight Bit	3/8"
直刀 Straight Bit	1/2"
直刀 Straight Bit	3/4"
子口荀刀 Dovetail Bit	3/8"
子口荀刀 Dovetail Bit	1/2"
90°"V"型刀 90°"V" Grooving Bit	1/4"
90°"V"型刀 90°"V" Grooving Bit	1/2"
单节刀 Panel Pilot Bit	1/4"
匙孔刀 Keyhole Bit	3/8"
深圆底刀 Round Nose Bit	R1/4"
圆底刀 Core box Bit	R1/4"
修边刀 Flush Trim Bit	1/4"
修边刀 Flush Trim Bit	3/8"×1/2"
修边刀 Flush Trim Bit	1/2"×1/2"
修边刀 Flush Trim Bit	1/2"×1"
榫刀 Mortising bit	1/2"
圆角刀 Round Over Bit	R1/8"
圆角刀 Round Over Bit	R1/4"
圆角刀 Round Over Bit	R3/8"
圆角刀 Round Over Bit	R1/2"
倒角刀 Cove Bit	R1/4"
倒角刀 Cove Bit	R1/2"
户西线刀 Roman Ogee Bit	R1/4"
45°斜角刀 45° Chamfer Bit	1/2"
平角弧线刀 Classical Bit	R1/4"
敏仔刀 Beading Bit	R1/2"
槽口刀 Slot Cutter Bit	3/8"





Art.No.:RC-035A

35支装木工铣刀 35pcs Router Bit Set

修边刀 Flush Trim Bit	3/8"×1/2"
修边刀 Flush Trim Bit	3/8"×1"
修边刀 Flush Trim Bit	1/2"×1/2"
修边刀 Flush Trim Bit	1/2"×1"
修边刀 Flush Trim Bit	3/4"×1"
槽口刀 Slot Cutter Bit	1-1/4"×1/4"
槽口刀 Slot Cutter Bit	1-1/4"×5/16"
槽口刀 Slot Cutter Bit	1-1/4"×3/8"
槽口刀 Slot Cutter Bit	3/8"×1"
45°斜角刀 45°Chamfer Bit	3/8"×1"
45°斜角刀 45°Chamfer Bit	1/2"×1-3/16"
45°斜角刀 45°Chamfer Bit	5/8"×1-7/16"
45°斜角刀 45°Chamfer Bit	3/4"×1-5/8"
圆角刀 Round Over Bit	R1/4"
圆角刀 Round Over Bit	R3/8"
圆角刀 Round Over Bit	R1/2"
敏仔刀 Beading Bit	R1/4"
敏仔刀 Beading Bit	R3/8"
敏仔刀 Beading Bit	R1/2"
倒角刀 Cove Bit	R1/4"
倒角刀 Cove Bit	R3/8"
倒角刀 Cove Bit	R1/2"
户西线刀 Roman Ogee Bit	R5/32"
户西线刀 Roman Ogee Bit	R7/32"
户西线刀 Roman Ogee Bit	R9/32"
跳桌角线刀 Curved Line Bit	R1/4"
跳桌角线刀 Curved Line Bit	R3/8"
平角弧线刀 Classical Bit	R3/16"
凸敏仔刀 Classical Cove Bit	R5/16"
三弧桌刀 Wave Edge Bit	R3/16"
跳桌刀 Classical Ogee Bit	R3/16"
跳桌刀 Classical Ogee Bit	R1/4"
门斗条线刀 Classical Bit	R1/8"
门斗条线刀 Classical Bit	R3/16"
门斗条线刀 Classical Bit	R1/4"

Art.No.:RC-035D

35支装木工铣刀 35pcs Router Bit Set

直刀 Straight Bit	3,4,5,6,8,10,12,14,16, 18,20mm
榫刀 Mortising Bit	12.7mm
双边门斗线条刀 Classical Bit	12.7mm
圆底刀 Core Box Bit	R3.2,R6.35mm
90° "V" 型刀 90° "V" Grooving Bit	6.35,12.7mm
子口荀刀 Dovetail Bit	9.5,12.7mm
单节刀 Panel Pilot Bit	6.35mm
修边刀 Flush Trim Bit	6.35,8,9.5,12.7mm
倒角刀 Cove Bit	R6.3,R9.5mm
圆角刀 Round Over Bit	R3.2,R6.3,R9.5mm
敏仔刀 Beading Bit	R6.3mm
户西线刀 Roman Ogee Bit	R4mm
斜角修边刀 Bevel Bit	12.7mm
45°斜角刀 45°Chamfer Bit	32mm
槽口刀 Slot Cutter Bit	6.35mm
榫刀 Rabbeting Bit	12.7mm



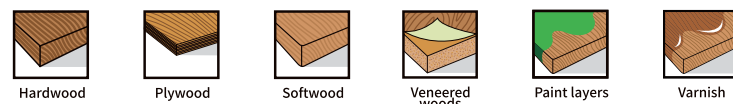
Art.No.:RC-035B

35支装木工铣刀 35pcs Router Bit Set

单刀直刀 Straight Bit	1/8"
直刀 Straight Bit	1/4"
直刀 Straight Bit	1/2"×1"
直刀 Straight Bit	1/2"×3/4"
直刀 Straight Bit	3/8"
直刀 Straight Bit	3/4"
圆底刀 Core Box Bit	R1/8"
圆底刀 Core Box Bit	R1/4"
修边刀 Flush Trim Bit	3/8"×1/2"
修边刀 Flush Trim Bit	3/8"×1"
修边刀 Flush Trim Bit	1/2"×1/2"
修边刀 Flush Trim Bit	1/2"×1"
修边刀 Flush Trim Bit	3/4"
45°斜角刀 45°Chamfer Bit	1/2"
户西线刀 Roman Ogee Bit	R5/32"
户西线刀 Roman Ogee Bit	R1/4"
倒角刀 Cove Bit	R1/4"
倒角刀 Cove Bit	R3/8"
三弧桌刀 Wave Edge Bit	R3/16"
子口荀刀 Dovetail Bit	1/2"
子口荀刀 Dovetail Bit	9/16"
榫刀 Mortising Bit	1/2"
深圆底刀 Round Nose Bit	1/2"
90°"V"型刀 90°"V" Grooving Bit	1/2"
单节刀 Panel Pilot Bit	1/4"
圆角刀 Round Over Bit	R1/4"
圆角刀 Round Over Bit	R3/8"
圆角刀 Round Over Bit	R1/2"
槽口刀 Slot Cutter Bit	1/4"
槽口刀 Slot Cutter Bit	5/16"
槽口刀 Slot Cutter Bit	3/8"
敏仔刀 Beading Bit	R1/2"
凸敏仔刀 Classical Cove Bit	R5/16"
门斗条线刀 Classical Bit	R3/16"
门斗条线刀 Classical Bit	R1/4"



THE WOODWORKING KNIFE, COMPOSED OF A SHARP BLADE AND A COMFORTABLE HANDLE, IS A SPECIALIZED TOOL FOR WOODWORKING PROCESSES.



Art.No.:RC-036A

36件套木工铣刀 36pcs Router Bit Set

直刀Straight Bit	1/8"
直刀Straight Bit	1/4"
直刀Straight Bit	5/16"
直刀Straight Bit	3/8"
直刀Straight Bit	1/2"
直刀Straight Bit	3/4"
螺旋直刀 Up Spiral Bit	1/4"
子口荀刀 Dovetail Bit	3/8"
子口荀刀 Dovetail Bit	1/2"
90° "V" 型刀 90° "V" Grooving Bit	1/2"
匙孔刀 Keyhole bit	3/8"
深圆底刀 Round Nose Bit	R1/4"
圆底刀 Core Box Bit	R3/16"
圆底刀 Core Box Bit	R1/4"
修边刀 Flush Trim Bit	3/8"×1/2"
修边刀 Flush Trim Bit	3/8"×1"
修边刀 Flush Trim Bit	1/2"×1/2"
修边刀 Flush Trim Bit	1/2"×1"
仿型修边刀 Pattern Bit	1/2"
榫刀 Mortising Bit	1/2"
开口雕刻刀 Olovo Bit	R1/4"
双边门斗刀 Classical Bit	1/2"
圆角刀 Round Over Bit	R1/8"
圆角刀 Round Over Bit	R1/4"
敏仔刀 Beading Bit	R3/8"
倒角刀 Cove Bit	R3/16"
倒角刀 Cove Bit	R1/4"
户西线刀 Roman Ogee Bit	R5/32"
45° 斜角刀 45° Chamfer Bit	1-1/4"
跳桌刀 Curved Line Bit	R3/16"
正半元刀 Half round Bit	R3/16"
平角弧线刀 Classical Bit	R3/16"
槽口刀 Slot Cutter Bit	3/8"
榫口刀 Rabbeting Bit	1/2"×3/4"
跳卓角线刀 Ogee Bit	R3/16"
凸敏仔刀 Cove Fillet Bit	R5/16"



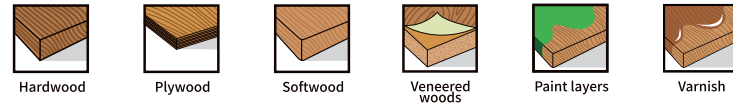
Art.No.:RC-040A

40 件套木工铣刀 40pcs Router Bit Set(A)

直刀 11pc Straight Bit	3mm,4mm,5mm,6mm,8mm,10mm 12mm,14mm,16mm,18mm,20mm
子口荀刀 2pc Dovetail Bit	9.5mm, 12.7mm
60° "V" 型刀 1pc 60° "V" Grooving Bit	9.5mm
90° "V" 型刀 1pc 90° "V" Grooving Bit	12.7mm
圆底刀 2pc Core Box Bit	R3.2mm, R6.35mm
跳桌刀 1pc Classical Bit	12.7mm
修边刀 2pc Flush Trim Bit	9.5mm, 12.7mm
25°斜角刀 1pc 25°Chamfer Bit	16mm
45°斜边刀 1pc 45°Chamfer Bit	32mm
户西线刀 1pc Roman Ogee Bit	R4mm
榫口刀 1pc Rabbeting Bit	12.7×35mm
槽口刀 1pc Slot Cutter Bit	6.35×32mm
单节刀 1pc Panel Pilot Bit	6.35mm
榫刀 1pc Mortising Bit	12.7mm
深圆底刀 1pc Round Nose Bit	R6.35mm
齐头刀 1pc Combination Baevel Bit	12.7mm
匙孔刀 1pc Keyhole Bit	9.5mm
倒角刀 2pc Cove Bit	R6.35mm, R9.5mm
圆角刀 4pcs Round Over Bit	R3.2mm, R6.35, R8mm, R9.5mm
敏仔刀 4pcs Beading Bit	R3.2mm, R6.35, R8mm, R9.5mm



THE WOODWORKING KNIFE, COMPOSED OF A SHARP BLADE AND A COMFORTABLE HANDLE, IS A SPECIALIZED TOOL FOR WOODWORKING PROCESSES.



Art.No.:RC-040B

40 件套木工铣刀 40pcs Router Bit set(B)

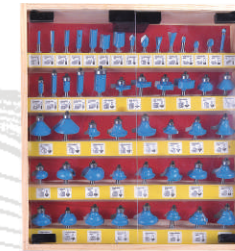
直刀 Straight Bit	1/8"
直刀 Straight Bit	1/4"
直刀 Straight Bit	3/8"
直刀 Straight Bit	1/2"
直刀 Straight Bit	5/8"
直刀 Straight Bit	3/4"
子口荀刀 Dovetail Bit	3/8"
子口荀刀 Dovetail Bit	1/2"
90° "V" 型刀 90° "V" Grooving Bit	1/4"
90° "V" 型刀 90° "V" Grooving Bit	3/8"
90° "V" 型刀 90° "V" Grooving Bit	1/2"
单节刀 Panel pilot Bit	1/4"
匙孔刀 Keyhole Bit	3/8"
匙孔刀 Keyhole Bit	1/2"
深圆底刀 Round Nose Bit	R1/8"
圆底刀 Core Bo× Bit	R1/4"
修边刀 Flush Trim Bit	1/4"
修边刀 Flush Trim Bit	3/8"
修边刀 Flush Trim Bit	1/2"
仿型修边刀 Pattern Bit	15/32"
仿型修边刀 Pattern Bit	1/2"
斜边修边刀 Trim Bit	5/8"
榫刀 Mortising Bit	1/2"
圆角刀 Round Over Bit	R1/8"
圆角刀 Round Over Bit	R1/4"
圆角刀 Round Over Bit	R3/8"
圆角刀 Round Over Bit	R1/2"
倒角刀 Cove Bit	R1/8"
倒角刀 Cove Bit	R1/4"
倒角刀 Cove Bit	R3/8"
倒角刀 Cove Bit	R1/2"
户西线刀 Roman Ogee Bit	R5/32"
25° 斜角刀 25° Chamfer Bit	3/4"
45° 斜角刀 45° Chamfer Bit	1/2"
45° 斜角刀 45° Chamfer Bit	5/8"
跳桌刀 Curved Line Bit	R3/16"
正半元刀 Half Round Bit	R3/16"
榫口刀 Rabbeting Bit	1/2×7/8"
榫口刀 Rabbeting Bit	1/2×1-3/8"
异型正半元刀 Edge Beading Bit	R3/16"



Art.No.:RC-050(A)

50 件套木工铣刀 50pcs Router Bit Set

直刀 7pcs Straight Bit	3/16",1/4",5/16",3/8",1/2",5/8",3/4"
90° "V" 型刀 2pcs 90° "V" Groove Bit	3/8",1/2"
子口荀刀 2pcs Dovetail Bit	1/2",9/16"
圆底刀 2pcs Core Box Bit	R1/8",R3/16",R1/4"
单节刀 1pcs Panel Pilot Bit	1/4"
修边刀 5pcs Flush Trim Bit	3/8"×1/2",3/8"×1",1/2"×1/2"
	1/2"×1",3/4"×1"
槽口刀 4pcs Slot Cutter Bit	1-1/4"×1/4",1-1/4"×5/16"
	1-1/4"×3/8",1-1/4"×1/2"
斜角刀 4pcs Chamfer Bit	3/8"×1",1/2"×1-3/16"
	5/8"×1-7/16",3/4"×1-5/8"
圆角刀 3pcs Round Over Bit	R1/4",R3/8",R1/2"
敏仔刀 3pcs Beading Bit	R1/4",R3/8",R1/2"
倒角刀 3pcs Cove Bit	R1/4",R3/8",R1/2"
户西线刀 3pcs Roman Ogee Bit	R5/32",R7/32",R9/32"
跳桌角线刀 2pcs Ogee Panel Bit	R1/4",R3/8"
平角弧线刀 1pc Ogee Flute Bit	R3/16"
凸敏仔线刀 1pc Classical Cove Bit	R5/16"
三弧桌刀 1pc Wavy Edge Bit	R3/16"
跳桌刀 2pcs Classical Bit	R3/16",R1/4"
斗条线刀 3pcs Double Roman Ogee Bit	R1/8",R3/16",R1/4"



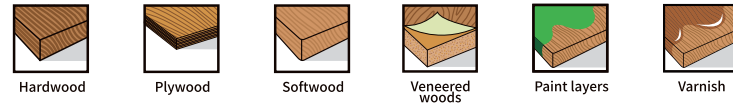
Art.No.:RC-050(B)

50 支装木工铣刀 50pcs Router Bit Set

直刀 Straight Bit	3,4,6,8,10,12,14,16,18,20mm
齐头刀 Combination Bevel Bit	12.7mm
榫刀 Mortising Bit	12.7mm
双边门斗刀 Classical Bit	12.7mm
匙孔刀 Keyhole Bit	9.5mm
圆底刀 Core Box Bit	R3.2,R4.8,R6.35mm
深圆底刀 Round Nose Bit	R4.8,R6.35mm
60° "V" 型刀 60° "V" Grooving Bit	9.5,16mm
90° "V" 型刀 90° "V" Grooving Bit	9.5,12.7mm
子口荀刀 Dovetail Bit	9.5,12.7,14.3,16mm
单节刀 Panel Pilot Bit	6.35mm
修边刀 Flush Trim Bit	9.5×12.7,9.5×25.4, 12.7×12.7,12.7×25.4mm
倒角刀 Cove Bit	R6.3,R9.5mm
圆角刀 Round Over Bit	R3.2,R6.3,R7.9,R9.5mm
敏仔刀 Beading Bit	R3.2,R6.3,R7.9,R9.5mm
户西线刀 Roman Ogee Bit	R4,R6.35mm
25°斜角刀 25°Chamfer Bit	16mm
45°斜角刀 45°Chamfer Bit	32mm
槽口刀 Slot cutter Bit	6.35,9.5mm
槽口刀 Slot cutter Bit	12.7mm
凸敏仔刀 Classical Cove Bit	R8mm



THE WOODWORKING KNIFE, COMPOSED OF A SHARP BLADE AND A COMFORTABLE HANDLE, IS A SPECIALIZED TOOL FOR WOODWORKING PROCESSES.



Art.No.:RC-066(A)

66件套木工铣刀 66pcs Router Bit Set

直刀 8pcs Straight Bit	1/4",5/16",3/8",7/16", 1/2",5/8",3/4",1"
倒角刀 6pcs cove Bit	R1/8",R3/16",R1/4", R5/16",3/8",1/2"
子口荀刀 5pcs Dovetail Bit	7.5°-1/4", 9°-3/8", 14°-1/2",5/8",3/4"
斜角刀 4pcs Chamfer Bit	15°-1",22.5° -1-1/4", 30°-1-1/2",45° -1-3/4"
户西线刀 2pcs Roman Ogee	R5/32",R1/4"
圆底刀 3pcs Core Box	1/4", 3/8", 1/2"
30°斜角修边刀1pc 30°Bevel	31/2
滚珠T型刀 2pcs Slot Cutter	1/4", 3/8"
凸圆门斗刀 1pc Double Cove & Bead	1-1/2"
匙孔刀 1pc Keyhole Bit	3/8"
深圆底刀 3pcs Round Nose	1/4",3/8", 1/2"
榫刀 3pcs Mortising	1/2",5/8",3/4"
圆角刀 6pcs Round Over	R1/8",R3/16",R1/4",R5/16" R3/8",R1/2"
异型半圆刀 2pcs Edge Beading Bit	1/4",3/8"
修边刀 2pcs Flush Trim Bit	3/8",1/2"
榫口刀 1pc Rabbeting Bit	3/8"
凸敏仔线刀1pc DoubleFillet&Cove Bit	R5/16"
双边门斗刀 1pc Groove Forming Classical Bit	3/4"
25°修边刀1pc 25°Beveled Trim Bit	1/4"
双弧圆底刀 1pc Dish Cutter	1"
清底弧线刀 1pc Flat Bottom Round Over	R1/4"
平角弧线刀 1pc Ogee Filet Bit	1-3/8"
门斗条线刀 1pc Classical Bit	R3/16"
双珠饰刀 1pc Multi Bead Bit	1/8"
尖嘴雕刻刀 1pc Point Cutting Round Over	1/2"
90°"V"型刀 3pcs "V"-Groove Bit	3/8",1/2",5/8"
单节刀 1pc Panel Pilot	3/8"
双R线刀 1pc Double Round Over	R5/32"
60°"V"型刀 2pcs 60°Sign Lettering	9/16", 11/16"



Art.No.:RC-100A

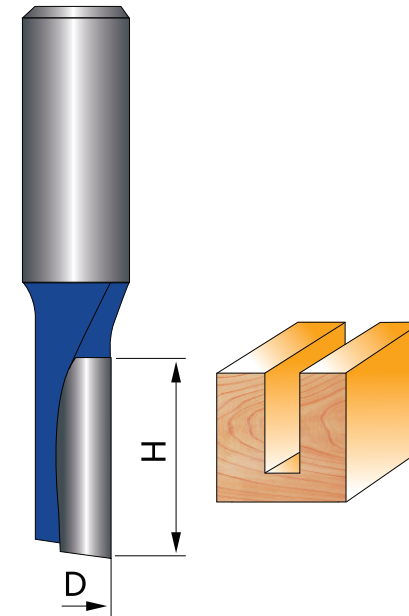
100件套木工铣刀 100pcs Router Bit Set

直刀 Straight Bit (4pcs)	1/8"	修边刀 Flush Trim Bit (2pcs)	1/4"
直刀 Straight Bit (4pcs)	5/32	修边刀 Flush Trim Bit (2pcs)	1/4"
直刀 Straight Bit (4pcs)	3/16"	修边刀 Flush Trim Bit (2pcs)	5/6"
直刀 Straight Bit (4pcs)	1/4"	修边刀 Flush Trim Bit (2pcs)	3/8"
直刀 Straight Bit (3pcs)	5/16"	修边刀 Flush Trim Bit (2pcs)	1/2"
直刀 Straight Bit (3pcs)	3/8"	倒角刀 Cove Bit	R1/8"
直刀 Straight Bit (3pcs)	7/16"	倒角刀 Cove Bit	R1/4"
直刀 Straight Bit (3pcs)	1/2"	倒角刀 Cove Bit	R3/8"
直刀 Straight Bit (2pcs)	9/16"	户西线刀 Roman Ogee Bit	R5/32"
直刀 Straight Bit (2pcs)	5/8"	户西线刀 Roman Ogee Bit	R1/4"
直刀 Straight Bit (2pcs)	3/4"	圆角刀 Round Over Bit	R1/8"
齐头刀 Combination Bit (2pcs)	1/2"	圆角刀 Round Over Bit	R3/16"
榫刀 Mortising Bit (2pcs)	1/2"	圆角刀 Round Over Bit	R1/4"
双边门斗刀 Classical Bit (2pcs)	1/2"	圆角刀 Round Over Bit	R5/16"
匙孔刀 Keyhole Bit (3pcs)	3/8"	圆角刀 Round Over Bit	R3/8"
深圆底刀 Round Nose Bit	R3/16"	敏仔刀 Beading Bit	R1/8"
深圆底刀 Round Nose Bit	R1/4"	敏仔刀 Beading Bit	R3/16"
圆底刀 Core Box Bit (2pcs)	R1/8"	敏仔刀 Beading Bit	R1/4"
圆底刀 Core Box Bit (2pcs)	R3/16"	敏仔刀 Beading Bit	R5/16"
圆底刀 Core Box Bit (2pcs)	R1/4"	敏仔刀 Beading Bit	R3/8"
60° "V" 型刀 60° "V" Grooving Bit (2pcs)	3/8"	25°斜角刀 25°chamfer Bit	5/8"
60° "V" 型刀 60° "V" Grooving Bit (2pcs)	1/2"	45°斜角刀 45°chamfer Bit	1-3/16"
90° "V" 型刀 90° "V" Grooving Bit (2pcs)	3/8"	槽口刀 Slot Cutter Bit	1/8" × 1-1/4"
90° "V" 型刀 90° "V" Grooving Bit (2pcs)	1/2"	槽口刀 Slot Cutter Bit	1/4" × 1-1/4"
子口荀刀 Dovetail Bit (2pcs)	3/8"	槽口刀 Slot Cutter Bit	3/8" × 1-1/4"
子口荀刀 Dovetail Bit (2pcs)	1/2"	槽口刀 Slot Cutter Bit	1/2" × 1-1/4"
子口荀刀 Dovetail Bit (2pcs)	9/16"	门斗条线刀 Classical Bit	R1/4"
子口荀刀 Dovetail Bit (2pcs)	5/8"	凸敏仔刀 Classical Cove Bit	R5/16"



单刃直刀

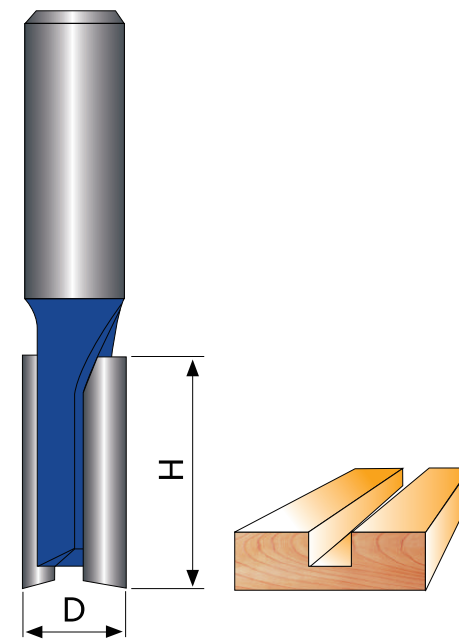
Straight Bits



订单编号 Part No.	规格 size(inch)	齿数 Z	直径 D(mm)	切削厚度 H(mm)
RC010120075	1/4×3/32	1	2.38	10
RC010120100	1/4×1/8	1	3.17	10
RC010120125	1/4×5/32	1	3.96	15
RC010120150	1/4×3/16	1	4.76	15
RC010120200	1/4×1/4	1	6.35	20
RC010120250	1/4×5/16	1	7.96	25
RC010120300	1/4×3/8	1	9.5	25
RC010140125	1/2×5/32	1	3.96	15
RC010140150	1/2×3/16	1	4.76	15
RC010140200	1/2×1/4	1	6.35	20
RC010140250	1/2×5/16	1	7.96	25
RC010140300	1/2×3/8	1	9.5	25

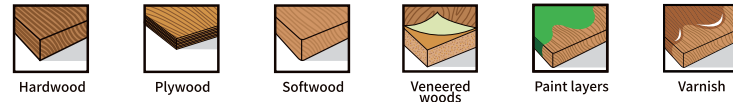
双刃直刀

Straight Bits



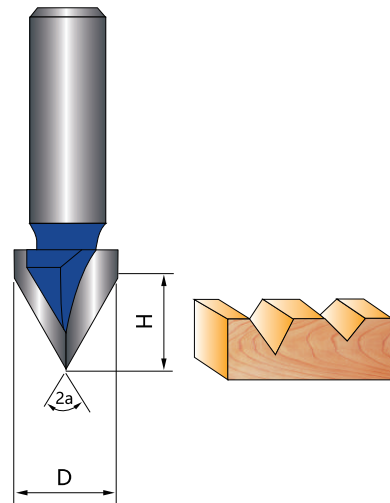
订单编号 Part No.	规格 size(inch)	齿数 Z	直径 D(mm)	切削厚度 H(mm)
RC010220200	1/4×1/4	2	6.35	20
RC010220250	1/4×5/16	2	7.96	30
RC010220300	1/4×3/8	2	9.52	30
RC010220400	1/4×1/2	2	12.7	30
RC010220500	1/4×5/8	2	15.9	30
RC010220600	1/4×3/4	2	19.05	30
RC010220700	1/4×7/8	2	22.2	30
RC010221000	1/4×1	2	25.4	30
RC010240200	1/2×1/4	2	6.35	30
RC010224025	1/2×5/16	2	7.96	30
RC010240300	1/2×3/8	2	9.52	30
RC010240400	1/2×1/2	2	12.7	30
RC010240500	1/2×5/8	2	15.9	30
RC010240600	1/2×3/4	2	19.05	30
RC010240700	1/2×7/8	2	22.2	30
RC010241000	1/2×1	2	25.4	30
RC010241100	1/2×1-1/8	2	28.6	30
RC010241200	1/2×1-1/4	2	31.75	30
RC010241300	1/2×1-3/8	2	34.9	30
RC010241400	1/2×1-1/2	2	38.1	30
RC010241600	1/2×1-3/4	2	44.5	30
RC010242000	1/2×2	2	50.8	30

THE WOODWORKING KNIFE, COMPOSED OF A SHARP BLADE AND A COMFORTABLE HANDLE, IS A SPECIALIZED TOOL FOR WOODWORKING PROCESSES.



V型斜尖刀

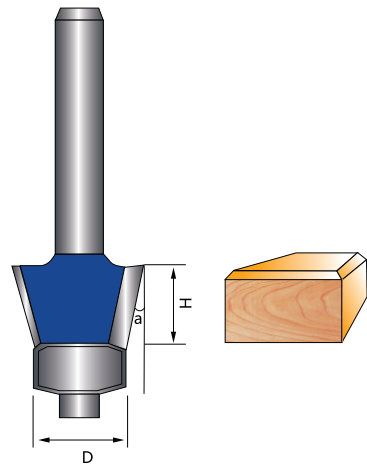
"V" Groove Bits



订单编号 Part No.	规格 size(inch)	直径 D(mm)	切削厚度 H(mm)	锥度 2a
31020400	1/4×1/2	12.70	10.90	60°
31020450	1/4×9/16	14.28	12.36	60°
31020475	1/4×19/32	15.08	18.20	45°
31020500	1/4×5/8	15.90	13.76	60°
31020600	1/4×3/4	19.05	16.48	60°
31020700	1/4×7/8	22.22	26.79	45°
31040400	1/2×1/2	12.70	10.90	60°
31040450	1/2×9/16	14.28	12.36	60°
31040475	1/2×19/32	15.08	18.20	45°
31040500	1/2×5/8	15.09	13.76	60°
31040600	1/2×3/4	19.05	16.48	60°
31040700	1/4×7/8	22.22	26.79	45°

斜角修边刀

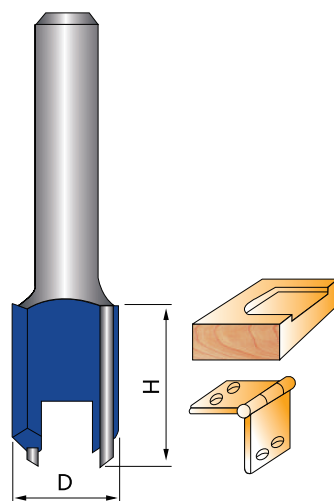
Bevel Trim Bits



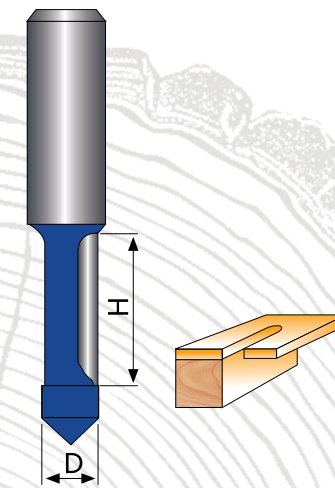
订单编号 Part No.	规格 size(inch)	直径 a	切削厚度 H(mm)
RC02062-225-a8	1/4×9/32×8	2	20
RC02062-225-a15	1/4×9/32×15°	2	30
RC02062-225-a25	1/4×9/32×25°	2	30
RC02062-225-a45	1/4×1/4×45°	2	30
RC02062-225-a25	1/4×7/16×25°	2	30

棒刀

Bevel Trim Bits



订单编号 Part No.	规格 size(inch)	直径 a	切削厚度 H(mm)
RC010420400	1/4×1/2	12.7	19.05
RC010420500	1/4×5/8	15.9	19.05
RC010420600	1/4×3/4	19.05	19.05
RC010440400	1/2×1/2	12.7	19.05
RC010440500	1/2×5/8	15.9	19.05
RC010440600	1/2×3/4	19.05	19.05
RC010440700	1/2×7/8	22.2	19.05
RC010441000	1/2×1	25.4	19.05
RC010441100	1/2×1-1/8	28.6	19.05
RC010441200	1/2×1-1/4	31.75	19.05



单节刀

Panel Pilot Bits

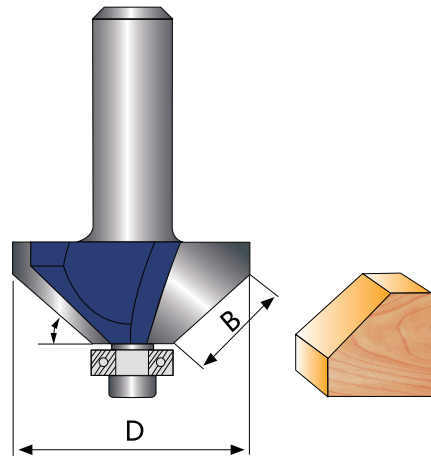
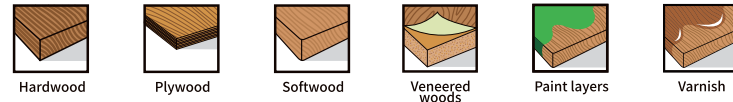
订单编号 Part No.	规格 size(inCh)	直径 D(mm)	切削厚度 H(mm)	齿数 Z
RC010720200	1/4×1/4	6.35	20	1
RC010720250	1/4×5/16	7.69	24	1
RC010720300	1/4×3/8	9.52	24	1
RC010720400	1/4×1/2	12.7	30	1
RC010740200	1/2×1/4	6.35	20	1
RC010740250	1/2×5/16	7.96	24	1
RC010740300	1/2×3/8	9.52	24	1
RC010740400	1/2×1/2	12.7	30	1

清底刀

Bottom Cleaning Bits

订单编号 Part No.	规格 size(inCh)	齿数 Z	直径 D(mm)	切削厚度 H(mm)
RC011020300	1/4×3/8	2	9.52	9
RC011020400	1/4×1/2	2	12.7	10
RC011020500	1/4×5/8	2	15.9	10
RC011020600	1/4×3/4	2	19.05	13
RC011020700	1/4×7/8	2	22.2	13
RC011021000	1/4×1	2	25.4	13
RC011040300	1/2×3/8	2	9.52	9
RC011040400	1/2×1/2	2	12.7	10
RC011040500	1/2×5/8	2	15.9	10
RC011040600	1/2×3/4	2	19.05	13
RC011040700	1/2×7/8	2	22.2	13
RC011041000	1/2×1	2	25.4	13
RC011041100	1/2×1-1/8	2	28.6	17
RC011041200	1/2×1-1/4	2	31.75	17
RC011041300	1/2×1-3/8	2	34.9	15
RC011041400	1/2×1-1/2	2	38.1	15
RC011041600	1/2×1-3/4	2	44.5	15
RC011042000	1/2×2	2	50.8	15

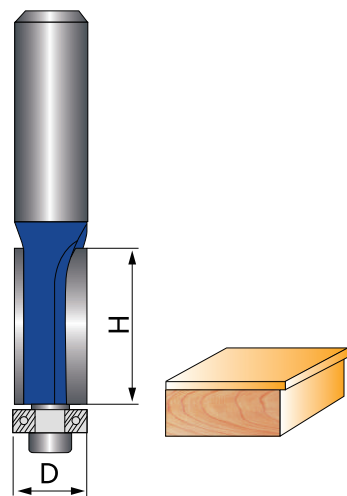
THE WOODWORKING KNIFE, COMPOSED OF A SHARP BLADE AND A COMFORTABLE HANDLE, IS A SPECIALIZED TOOL FOR WOODWORKING PROCESSES.



45°斜角刀

45° Chamfer Bits

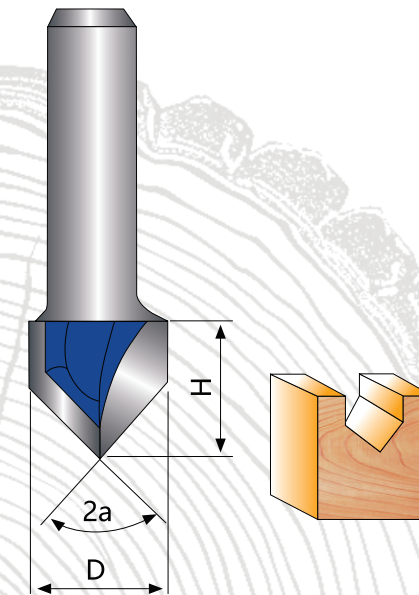
订单编号 Part No.	规格 size(inCh)	直径 D(mm)	斜角 a	切削厚度 H(mm)
RC020920200	1/4×1/4	21.98	45°	6.35
RC020920250	1/4×5/16	24.25	45°	7.96
RC020920300	1/4×3/8	26.50	45°	9.52
RC020920400	1/4×1/2	30.96	45°	12.7
RC020920500	1/4×5/8	35.50	45°	15.9
RC020920600	1/4×3/4	40.00	45°	19.05
RC020920700	1/4×7/8	44.40	45°	22.2
RC020921000	1/4×1	48.90	45°	25.4
RC020940200	1/2×1/4	31.98	45°	6.35
RC020940250	1/2×5/16	24.25	45°	7.96
RC020940300	1/2×3/8	26.50	45°	9.52
RC020940400	1/2×1/2	30.96	45°	12.7
RC020940500	1/2×5/8	35.50	45°	15.9
RC020940600	1/2×3/4	40.00	45°	19.05
RC020940700	1/2×7/8	44.40	45°	22.2
RC020941000	1/2×1	48.90	45°	25.4
RC020941100	1/2×1-1/8	53.40	45°	28.6
RC020941200	1/2×1-1/4	57.90	45°	31.75
RC020941300	1/2×1-3/8	62.40	45°	34.9
RC020941400	1/2×1-1/2	67.00	45°	38.1
RC020941500	1/2×1×5/8	71.37	45°	41.27
RC020941600	1/2×1×3/4	75.86	45°	44.45
RC020942000	1/2×2	84.84	45°	50.8



修边刀

Flush Trim Bits

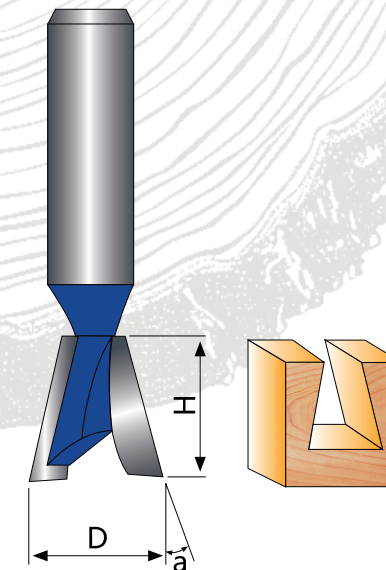
订单编号 Part No.	规格 size(inCh)	直径 D(mm)	切削厚度 H(mm)
RC020120200	1/4×1/4	6.00	6.35
RC020120250	1/4×5/16	8.00	7.96
RC020120300	1/4×3/8	9.00	9.52
RC020120400	1/4×1/2	13.00	12.7
RC020140200	1/2×1/4	6.00	15.9
RC020140250	1/2×5/16	8.00	19.05
RC020140300	1/2×3/8	9.00	22.2
RC020140400	1/2×1/2	13.00	25.4



"V" 型刀

"V" Groove Bits

订单编号 Part No.	规格 size(inCh)	直径 D(mm)	切削厚度 H(mm)	齿数 Z
RC030420200	1/4×1/4	6.35	6.35	90°
RC030420250	1/4×5/16	7.96	7.96	90°
RC030420300	1/4×3/8	9.52	9.52	90°
RC030420400	1/4×1/2	12.7	12.7	90°
RC030420500	1/4×5/8	15.9	15.9	90°
RC030420600	1/4×3/4	19.05	17.5	90°
RC030420700	1/4×7/8	22.2	22.2	90°
RC030421000	1/4×1	25.4	25.4	90°
RC030440200	1/2×1/4	6.35	6.35	90°
RC030440250	1/2×5/16	7.96	7.96	90°
RC030440300	1/2×3/8	9.52	9.52	90°
RC030440400	1/2×1/2	12.7	12.7	90°
RC030440500	1/2×5/8	15.9	15.9	90°
RC030440600	1/2×3/4	19.05	17.5	90°
RC030440700	1/2×7/8	22.2	22.0	90°
RC030441000	1/2×1	25.4	25.4	90°
RC030441100	1/2×1-1/8	28.6	26.0	90°
RC030441200	1/2×1-1/4	31.75	25.5	90°
RC030441300	1/2×1-3/8	34.9	25.0	90°
RC030441400	1/2×1-1/2	38.1	25.0	90°
RC030441600	1/2×1-3/4	44.5	30.0	90°
RC030442000	1/2×2	50.8	30.0	90°

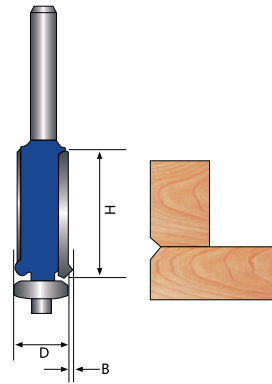
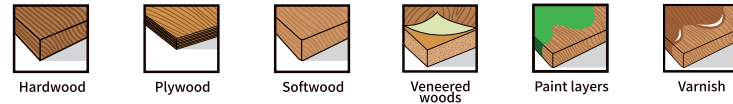


子口弯刀

Dovetail Bits

订单编号 Part No.	规格 size(inCh)	直径 D(mm)	斜角 a	切削厚度 H(mm)
RC030620300	1/4×3/8	9.52	8°	10
RC030620400	1/4×1/2	12.7	8°	13
RC030620500	1/4×5/8	15.9	14°	16
RC030620600	1/4×3/4	19.05	14°	20
RC030620700	1/4×7/8	22.2	14°30'	23
RC030621000	1/4×1	25.4	14°30'	26
RC030640300	1/2×3/8	9.52	8°	10
RC030640400	1/2×1/2	12.7	8°	13
RC030640500	1/2×5/8	15.9	14°	16
RC030640600	1/2×3/4	19.05	14°	20
RC030640700	1/2×7/8	22.2	14°30'	23
RC030641000	1/2×1	25.4	14°30'	26
RC030641100	1/2×1-1/8	28.6	14°30'	29
RC030641200	1/4×1-1/4	31.75	14°30'	30
RC030641400	1/4×1-1/2	38.1	14°30'	30

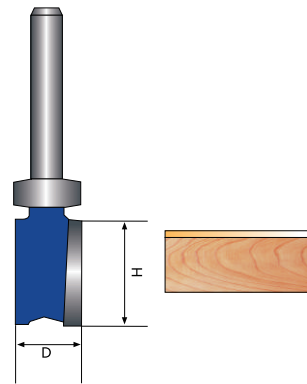
THE WOODWORKING KNIFE, COMPOSED OF A SHARP BLADE AND A COMFORTABLE HANDLE, IS A SPECIALIZED TOOL FOR WOODWORKING PROCESSES.



侧V修边刀

Flush Trim "V" Groove Bits

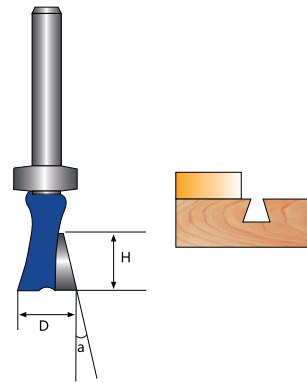
订单编号 Part No.	规格 size(inCh)	直径 D(mm)	切削厚度 H(mm)	切消宽度 B(mm)
RC021120400	1/4×1/2	12.7	30.0	1.85
RC021120500	1/4×5/8	16.2	25.4	1.60
RC021120600	1/4×3/4	19.05	25.4	2.0
RC021140400	1/2×1/2	12.7	30.0	1.85
RC021140500	1/2×5/8	16.2	25.4	1.60
RC021140600	1/2×3/4	19.05	25.4	2



仿型修边刀

Pattern Bits

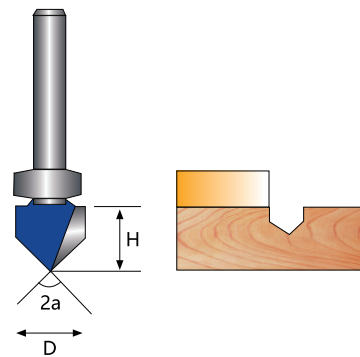
订单编号 Part No.	规格 size(inCh)	直径 D(mm)	切削厚度 H(mm)
RC021320400	1/4×1/2	12.7	25.4
RC021320500	1/4×5/8	15.9	25.4
RC021320600	1/4×3/4	19.05	25.4
RC021340400	1/2×3/4	19.05	25.4
RC021340500	1/2×5/8	15.9	25.4
RC021340600	1/2×1-1/8	28.6	30.2



仿型子口苟刀

Pattern Bits

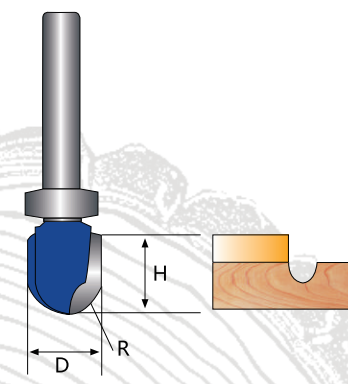
订单编号 Part No.	规格 size(inCh)	直径 D(mm)	切削厚度 H(mm)	斜角 a
RC021420400	1/4×1/2	12.7	12.7	14°



仿型V型刀

Pattern Bits

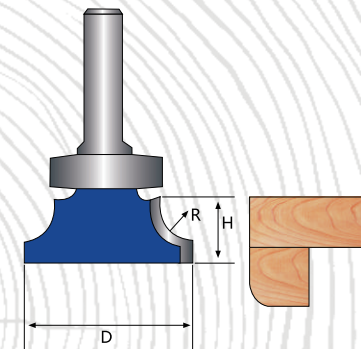
订单编号 Part No.	规格 size(inCh)	直径 D(mm)	切削厚度 H(mm)	斜角 2a
RC041320400	1/4×1/2	12.7	12.7	90°



仿型圆底刀

Pattern Bits

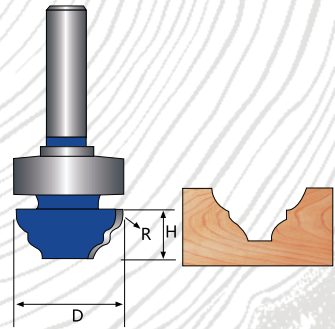
订单编号 Part No.	规格 size(inch)	直径 D(mm)	切削厚度 H(mm)	半径 R(mm)
RC041420400	1/4×1/2	12.7	15.8	6.35



仿型圆角刀

Pattern Bits

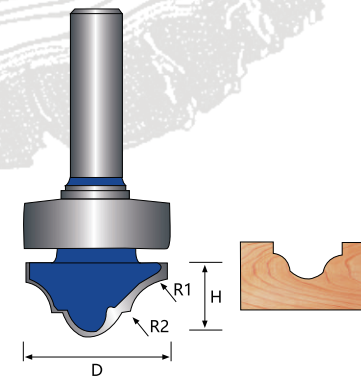
订单编号 Part No.	规格 size(inch)	直径 D(mm)	切削厚度 H(mm)	半径 R(mm)
RC061342100	1/2×2-1/8	53.97	19.05	9.52



仿型跳桌刀

Pattern Bits

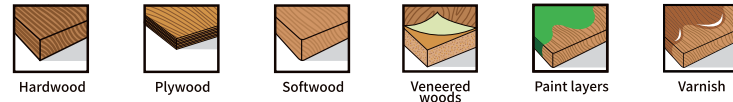
订单编号 Part No.	规格 size(inch)	直径 D(mm)	切削厚度 H(mm)	半径 R(mm)
RC082220700	1/4×7/8	22.2	9.52	2.38
RC082241700	1/2×1-3/8	34.9	14.28	5.16



仿型双边门斗刀

Pattern Bits

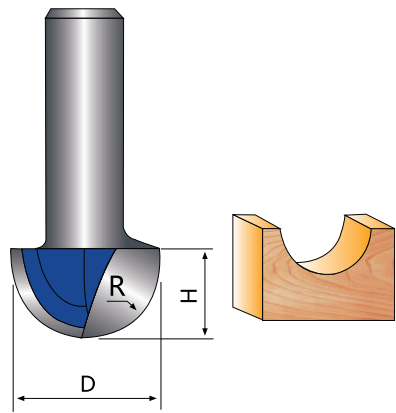
订单编号 Part No.	规格 size(inch)	直径 D(mm)	切削厚度 H(mm)	半径 R1(mm)	半径 R2(mm)
RC082320700	1/4×7/8	22.2	12.7	5.56	3.96
RC082341700	1/2×1-3/8	34.9	14.28	10.32	6.35



圆底刀

Core Bo× Bits

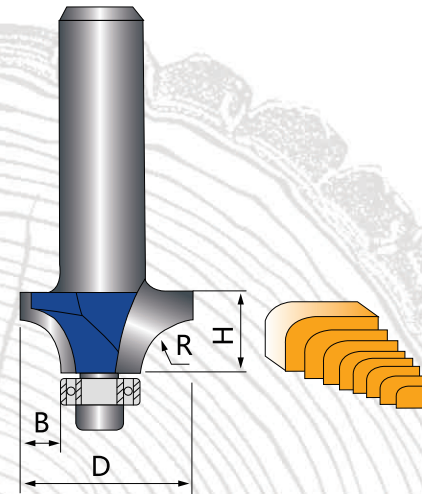
订单编号 Part No.	规格 size(inch)	直径 D(mm)	半径 R(mm)	切削厚度 H(mm)
RC050220100	1/4×3/8	3.17	5.0	1.58
RC050220150	1/4×3/16	4.76	7.0	2.38
RC050220200	1/4×1/4	6.35	6.35	3.17
RC050220250	1/4×5/16	7.96	6.5	3.96
RC050220300	1/4×3/8	9.52	7.5	4.76
RC050220400	1/4×1/2	12.7	9.4	6.35
RC050220500	1/4×5/8	15.9	10	7.95
RC050220600	1/4×3/4	19.05	12	9.52
RC050220700	1/4×7/8	22.2	13.5	11.1
RC050221000	1/4×1	25.4	15.0	12.7
RC050240150	1/2×3/16	4.76	7.0	2.38
RC050240200	1/2×1/4	6.35	6.35	3.17
RC050240250	1/2×5/16	7.96	6.5	3.96
RC050240300	1/2×3/8	9.52	7.5	4.76
RC050240400	1/2×1/2	12.7	9.4	6.35
RC050240500	1/2×5/8	15.9	10	7.95
RC050240600	1/2×3/4	19.05	12	9.52
RC050240700	1/2×7/8	22.2	13.5	11.1
RC050241000	1/2×1	25.4	15.0	12.7
RC050241100	1/2×1-1/8	28.6	17.5	14.3
RC050241200	1/2×1-1/4	31.75	19	15.9
RC050241300	1/2×1-3/8	34.9	19.5	17.45
RC050241400	1/2×1-1/2	38.1	22.5	19.05
RC050241500	1/2×1-5/8	41.28	24.2	20.64
RC050241600	1/2×1-3/4	44.45	26.5	22.2
RC050241700	1/2×1-7/8	47.63	27.5	23.81
RC050242000	1/2×1	50.8	28.5	25.4
RC050242400	1/2×2-1/3	63.5	35	31.75
RC050243000	1/2×3	76.2	41.5	38.1



圆角刀

Round Over Bits

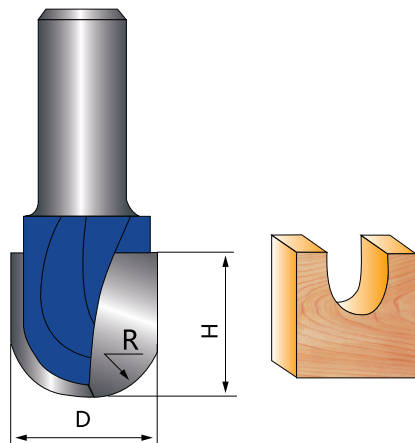
订单编号 Part No.	规格 size(inch)	直径 D(mm)	半径 R(mm)	切削宽度 B(mm)	切削厚度 H(mm)
RC060220150	1/4×3/16	13.76	2.38	2.38	5.38
RC060220200	1/4×1/4	15.35	3.17	3.17	7.00
RC060220250	1/4×5/16	20.94	3.97	3.97	8.00
RC060220300	1/4×3/8	22.5	4.76	4.76	9.00
RC060220400	1/4×1/2	25.7	6.35	6.35	11.0
RC060220500	1/4×5/8	28.88	7.96	7.96	12.0
RC060220600	1/4×3/4	32.05	9.52	9.52	15.0
RC060220700	1/4×7/8	35.2	11.1	11.1	16.0
RC060221000	1/4×1	38.4	12.7	12.7	18.0
RC060240150	1/2×3/16	13.76	2.38	2.38	5.38
RC060240200	1/2×1/4	15.35	3.17	3.17	7.00
RC060240250	1/2×5/16	20.94	3.97	3.97	8.00
RC060240300	1/2×3/8	22.5	4.76	4.76	9.00
RC060240400	1/2×1/2	25.7	6.35	6.35	11.0
RC060240500	1/2×5/8	28.88	7.96	7.96	12.0
RC060240600	1/2×3/4	32.05	9.52	9.52	15.0
RC060240700	1/2×7/8	35.20	11.1	11.1	16.0
RC060241000	1/2×1	38.4	12.7	12.7	18.0
RC060241100	1/2×1-1/8	43.58	14.29	14.29	20.0
RC060241200	1/2×1-1/4	46.75	15.9	15.9	22.0
RC060241300	1/2×1-3/8	49.93	17.46	17.46	23.0
RC060241400	1/2×1-1/2	53.10	19.05	19.05	25.0
RC060241500	1/2×1-5/8	56.26	20.64	20.64	25.95
RC060241600	1/2×1-3/4	59.45	22.23	22.23	29.0
RC060241700	1/2×1-7/8	62.63	23.81	23.81	29.0
RC060242000	1/2×2	65.8	25.4	25.4	32.0
RC060242100	1/2×2-1/8	68.97	26.98	26.98	33.4
RC060242200	1/2×2-1/4	72.15	28.58	28.58	34.1
RC060242300	1/2×2-3/8	75.32	30.16	30.16	36.7
RC060242400	1/2×2-1/2	78.5	31.75	31.75	38.0
RC060242500	1/2×2-5/8	81.67	33.33	33.33	39.8
RC060242600	1/2×2-3/4	84.85	34.93	34.93	41.5
RC060242700	1/2×2-7/8	88.02	36.51	36.51	43.1
RC060243000	1/2×3	91.2	38.1	38.1	44.97



深圆底刀

Round Nose Bits

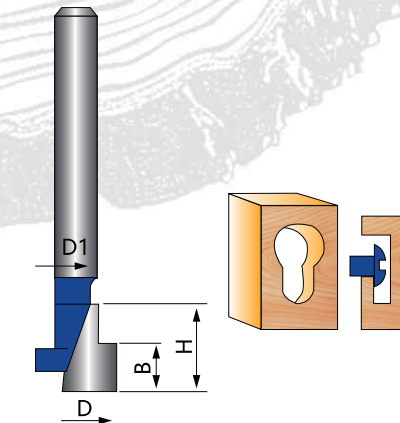
订单编号 Part No.	规格 size(inch)	直径 D(mm)	半径 R(mm)	切削厚度 H(mm)
RC050320300	1/4×3/8	9.52	19.6	4.76
RC050320400	1/4×1/2	12.7	19.6	6.35
RC050320500	1/4×5/8	15.9	19.6	7.96
RC050320600	1/4×3/4	19.05	19.6	9.52
RC050320700	1/4×7/8	22.2	21.5	11.1
RC050321000	1/4×1	25.4	22.5	12.7
RC050340300	1/2×3/8	9.52	19.6	4.76
RC050340400	1/2×1/2	12.7	19.6	6.35
RC050340500	1/2×5/8	15.9	19.6	7.96
RC050340600	1/2×3/4	19.05	19.6	9.52
RC050340700	1/2×7/8	22.2	21.5	11.1
RC050341000	1/2×1	25.4	22.5	12.7
RC050341100	1/2×1-1/8	28.5	22.5	14.3
RC050341200	1/2×1-1/4	31.75	23	15.9
RC050341300	1/2×1-3/8	34.9	23	17.45
RC050341400	1/2×1-1/2	38.1	23	19.05
RC050341600	1/2×1-3/4	44.45	31.75	22.2
RC050342000	1/2×2	50.8	31.75	25.4

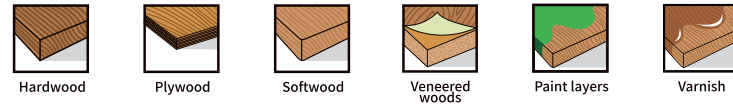


匙孔刀

Keyhole Bits

订单编号 Part No.	规格 size(inch)	直径 D(mm)	直径1 D1(mm)	切削宽度 B(mm)	切削厚度 H(mm)
RC160320300	1/4×3/8	9.52	6.35	4.76	9.5
RC160320400	1/4×1/2	12.70	6.35	6.35	9.5

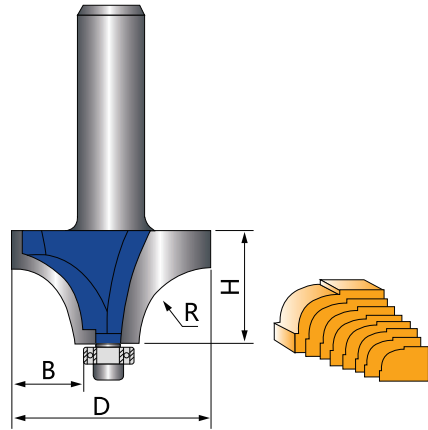




敏仔刀

Beading Bits

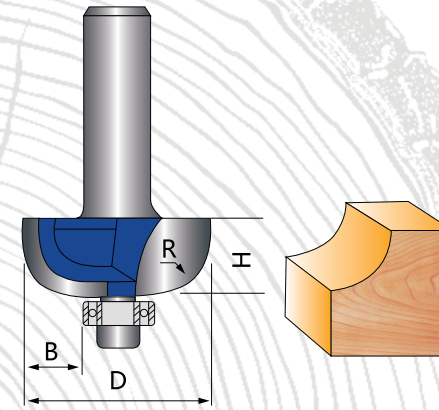
订单编号 Part No.	规格 size(inch)	直径 D(mm)	半径 R(mm)	切削宽度 B(mm)	切削厚度 H(mm)
RC060320100	1/4×1/8	15.9	1.58	3.45	12.7
RC060320150	1/4×3/16	17.46	2.38	4.23	12.7
RC060320200	1/4×1/4	19.05	3.17	5.02	12.7
RC060320250	1/4×5/16	20.62	3.96	5.81	12.7
RC060320300	1/4×3/8	22.22	4.76	6.61	12.7
RC060320400	1/4×1/2	25.4	6.35	8.2	12.7
RC060320500	1/4×5/8	28.6	7.96	9.8	12.7
RC060320600	1/4×3/4	31.7	9.52	11.35	15.9
RC060320700	1/4×7/8	34.9	11.1	12.9	17
RC060321000	1/4×1	38.1	12.7	14.5	19.05
RC060340200	1/2×1/4	19.05	3.17	5.02	12.7
RC060340250	1/2×5/16	20.62	3.96	5.81	12.7
RC060340300	1/2×3/8	22.22	4.76	6.61	12.7
RC060340400	1/2×1/2	25.4	6.35	8.2	12.7
RC060340500	1/2×5/8	28.6	7.96	9.8	12.7
RC060340600	1/2×3/4	31.7	9.52	11.35	15.9
RC060340700	1/2×7/8	34.9	11.1	12.9	17
RC060341000	1/2×1	38.1	12.7	14.5	19.05
RC060341100	1/2×1-1/8	41.3	14.3	16.15	19.3
RC060341200	1/2×1-1/4	44.45	15.9	17.72	22.2
RC060341300	1/2×1-3/8	47.60	17.45	19.3	23.85
RC060341400	1/2×1-1/2	50.8	19.05	20.9	25.4
RC060341500	1/2×1-5/8	53.96	20.63	22.48	27.13
RC060341600	1/2×1-3/4	57.15	22.2	24.07	28.5
RC060341700	1/2×1-7/8	60.32	23.81	25.66	30.31
RC060342000	1/2×2	63.5	25.4	27.25	32
RC060342100	1/2×2-1/8	66.66	26.98	28.83	33.48
RC060342200	1/2×2-1/4	69.84	28.57	30.42	35.07
RC060342300	1/2×2-3/8	73.02	30.16	32.01	36.66
RC060342400	1/2×2-1/2	76.2	31.75	33.6	38.25
RC060342500	1/2×2-5/8	79.37	33.33	35.18	39.83
RC060342600	1/2×2-3/4	82.55	34.92	36.77	41.42
RC060342700	1/2×2-7/8	85.72	36.51	38.36	43.01
RC060343000	1/2×3	88.9	38.1	39.95	45.1



倒角刀

Cove Bits

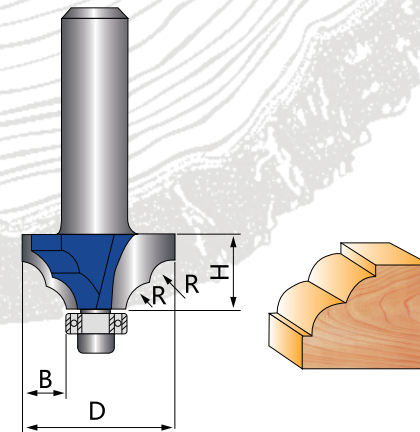
订单编号 Part No.	规格 size(inch)	直径 D(mm)	半径 R(mm)	切削厚度 B(mm)	切削厚度 H(mm)
RC070220100	1/4×1/8	12.7	1.58	1.58	6.35
RC070220150	1/4×3/16	13.76	2.38	2.38	6.35
RC070220200	1/4×1/4	15.35	3.17	3.17	6.35
RC070220250	1/4×5/16	16.92	3.96	3.96	6.35
RC070220300	1/4×3/8	22.5	4.76	4.76	7.8
RC070220400	1/4×1/2	25.7	6.35	6.35	9.52
RC070220500	1/4×5/8	28.9	7.96	7.96	10.3
RC070220600	1/4×3/4	32.1	9.52	9.52	12.3
RC070220700	1/4×7/8	35.2	11.1	11.1	14.5
RC070221000	1/4×1	38.4	12.7	12.7	15.8
RC070240200	1/2×1/4	15.35	3.17	3.17	6.35
RC070240250	1/2×5/16	16.92	3.96	3.96	6.35
RC070240300	1/2×3/8	22.5	4.76	4.76	7.8
RC070240400	1/2×1/2	25.7	6.35	6.35	9.52
RC070240500	1/2×5/8	28.9	7.96	7.96	10.3
RC070240600	1/2×3/4	32.1	9.52	9.52	12.3
RC070240700	1/2×7/8	35.2	11.1	11.1	14.5
RC070241000	1/2×1	38.4	12.7	12.7	15.8
RC070241100	1/2×1-1/8	41.6	14.3	14.3	18
RC070241200	1/2×1-1/4	44.8	15.9	15.9	19.4
RC070241300	1/2×1-3/8	47.9	17.45	17.45	21.0
RC070241400	1/2×1-1/2	51.1	19.05	19.05	22.7
RC070241500	1/2×1-5/8	54.27	20.63	20.63	23.8
RC070241600	1/2×1-3/4	57.45	22.2	22.2	25.37
RC070241700	1/2×1-7/8	60.62	23.81	23.81	26.9
RC070242000	1/2×2	63.8	25.4	25.4	28.5
RC070242400	1/2×2-1/2	76.5	31.75	31.75	33.5
RC070243000	1/2×3	89.2	38.1	38.1	40.1



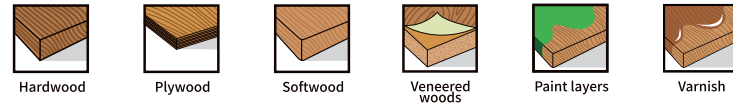
双线刀

Classical Moulding Bits

订单编号 Part No.	规格 size(inch)	直径 D(mm)	半径 R(mm)	切削厚度 B(mm)	切削厚度 H(mm)
RC080220200	1/4×1/4	19.35	3.17	1.58	6.16
RC080220250	1/4×5/16	20.93	3.96	1.98	7.13
RC080220300	1/4×3/8	22.5	4.76	2.38	7.93
RC080220400	1/4×1/2	25.7	6.35	3.17	9.52
RC080220500	1/4×5/8	28.9	7.95	3.96	12.7
RC080220600	1/4×3/4	32.05	9.52	4.76	14.3
RC080220700	1/4×7/8	35.2	11.1	5.55	15.76
RC080221000	1/4×1	38.4	12.7	6.35	17.5
RC080240200	1/2×1/4	19.35	3.17	1.58	6.16
RC080240250	1/2×5/16	20.93	3.96	1.98	7.13
RC080240300	1/2×3/8	22.5	4.76	2.38	7.93
RC080240400	1/2×1/2	25.7	6.35	3.17	9.52
RC080240500	1/2×5/8	28.9	7.95	3.96	12.7
RC080240600	1/2×3/4	32.05	9.52	4.76	14.3
RC080240700	1/2×7/8	35.2	11.1	5.55	15.76
RC080241000	1/2×1	38.4	12.7	6.35	17.5
RC080241100	1/2×1-1/8	41.6	14.3	7.15	20.65
RC080241200	1/2×1-1/4	44.75	15.9	7.93	22.2
RC080241400	1/2×1-1/2	51.1	19.05	9.52	25.4



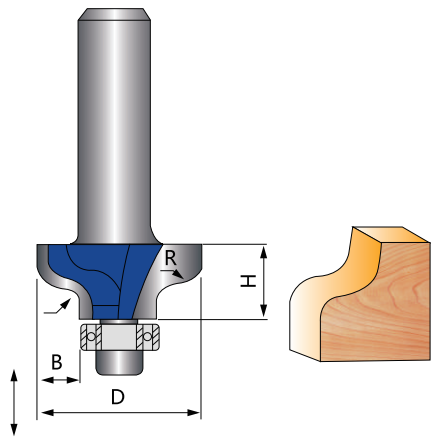
THE WOODWORKING KNIFE, COMPOSED OF A SHARP BLADE AND A COMFORTABLE HANDLE, IS A SPECIALIZED TOOL FOR WOODWORKING PROCESSES.



跳卓角线刀

Curved Line Bits

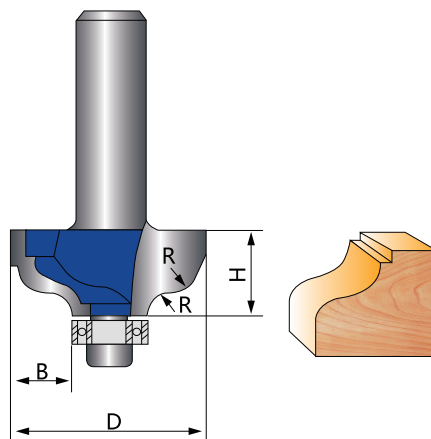
订单编号 Part No.	规格 size(inch)	直径 D(mm)	半径 R(mm)	切削宽度 B(mm)	切削厚度 H(mm)
RC080320400	1/4×1/2	25.7	3.52	6.35	13
RC080320500	1/4×5/8	28.9	4.59	7.95	15.1
RC080320600	1/4×3/4	32	5.74	9.5	17.3
RC080320700	1/4×7/8	35.2	7.00	11.1	19.7
RC080321000	1/4×1	38.4	8.41	12.7	22.3
RC080340400	1/2×1/2	25.7	3.52	6.35	13
RC080340500	1/2×5/8	28.9	4.59	7.95	15.1
RC080340600	1/2×3/4	32	5.74	9.5	17.3
RC080340700	1/2×7/8	35.2	7.00	11.1	19.7
RC080341000	1/2×1	38.4	8.41	12.7	22.3
RC080341100	1/2×1-1/8	41.8	9.89	14.4	25
RC080341200	1/2×1-1/4	44.8	11.59	15.9	28
RC080341400	1/2×1-1/2	51.1	14.76	19.05	33.6
RC080341600	1/2×1-3/4	57.45	16.37	22.2	37.03
RC080342000	1/2×2	64	17.98	25.5	40.43



平角弧线刀

ClassiCal Bits

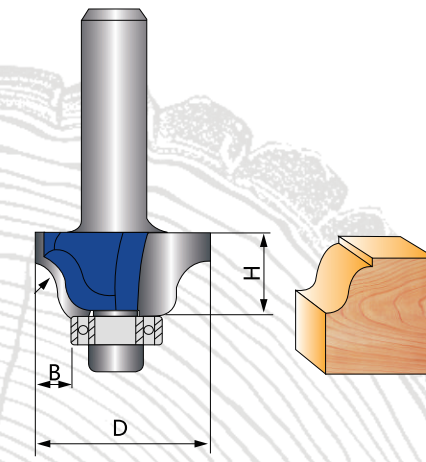
订单编号 Part No.	规格 size(inch)	直径 D(mm)	半径 R(mm)	切削宽度 B(mm)	切削厚度 H(mm)
RC080420400	1/4×1/2	25.69	2.38	6.34	9.52
RC080420500	1/4×5/8	28.85	3.17	7.92	11.1
RC080420600	1/4×3/4	32.02	3.96	9.52	12.9
RC080420700	1/4×7/8	35.21	4.76	11.1	14.3
RC080421000	1/4×1	38.57	5.60	12.7	15.9
RC080440400	1/2×1/2	25.69	2.38	6.34	9.52
RC080440500	1/2×5/8	28.85	3.17	7.92	11.1
RC080440600	1/2×3/4	32.02	3.96	9.52	12.9
RC080440700	1/2×7/8	35.21	4.76	11.1	14.3
RC080441000	1/2×1	38.57	5.60	12.7	15.9
RC080441100	1/2×1-1/8	41.57	6.35	14.28	17.5
RC080441200	1/2×1-1/4	44.73	7.14	15.8	20.63
RC080441400	1/2×1-1/2	51.10	8.73	19.05	22.2
RC080441500	1/2×1-5/8	54.25	9.52	20.62	24.0
RC080441600	1/2×1-3/4	57.45	10.32	22.2	25.4



户西线刀

Roman Ogee Bits

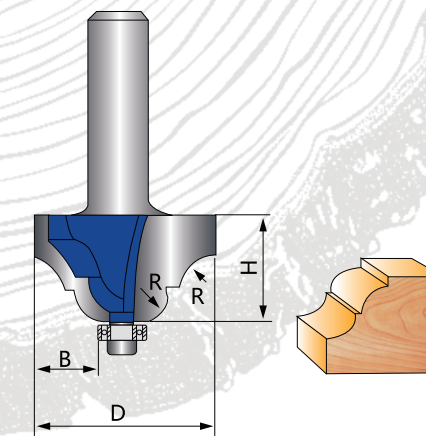
订单编号 Part No.	规格 size(inch)	直径 D(mm)	半径 R(mm)	切削宽度 B(mm)	切削厚度 H(mm)
RC080620300	1/4×3/8	22.5	4.76	2.38	8.0
RC080620400	1/4×1/2	25.7	6.35	3.17	9.7
RC080620500	1/4×5/8	28.9	7.95	3.96	11.5
RC080620600	1/4×3/4	32	9.52	4.76	14.0
RC080620700	1/4×7/8	35.2	11.1	5.6	15.7
RC080621000	1/4×1	38.2	12.7	6.35	18.2
RC080640300	1/2×3/8	22.5	4.76	2.38	8.0
RC080640400	1/2×1/2	25.7	6.35	3.17	9.7
RC080640500	1/2×5/8	28.9	7.95	3.96	11.5
RC080640600	1/2×3/4	32	9.52	4.76	14.0
RC080640700	1/2×7/8	35.2	11.1	5.6	15.7
RC080641000	1/2×1	38.2	12.7	6.35	18.2
RC080641100	1/2×1-1/8	41.6	14.3	7.14	18.7
RC080641200	1/2×1-1/4	44.7	15.9	7.95	22.2
RC080641300	1/2×1-3/8	47.92	17.46	8.73	23.46
RC080641400	1/2×1-1/2	51.1	19.05	9.52	25.5
RC080641500	1/2×1-5/8	54.27	20.63	10.31	27.0
RC080641600	1/2×1-3/4	57.48	22.2	11.1	28.3
RC080642000	1/2×2	63.8	25.4	12.7	31.8
RC080642400	1/2×2-1/2	76.5	31.75	15.8	38
RC080643000	1/2×3	89.2	38.1	19.05	44



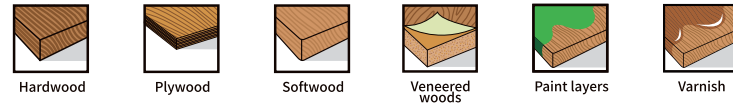
框架线刀

Double Roman Ogee Bits

订单编号 Part No.	规格 size(inch)	直径 D(mm)	半径 R(mm)	切削宽度 B(mm)	切削厚度 H(mm)
RC080520400	1/4×1/2	21.68	3.17	12.7	6.35
RC080520250	1/4×5/8	24.9	3.96	15.9	7.95
RC080520600	1/4×3/4	28.04	4.76	19.0	9.52
RC080520700	1/4×7/8	31.2	5.55	20.63	11.1
RC080521000	1/4×1	34.4	6.35	22.2	12.70
RC080540400	1/2×1/2	21.68	3.17	12.7	6.35
RC080540500	1/2×5/8	24.9	3.96	15.9	7.95
RC080540600	1/2×3/4	28.04	4.76	19.0	9.52
RC080540700	1/2×7/8	31.2	5.55	20.63	11.1
RC080541000	1/2×1	34.4	6.35	22.2	12.7
RC080541100	1/2×1-1/8	37.56	7.14	22.2	14.28
RC080541200	1/2×1-1/4	40.84	7.96	22.2	15.9
RC080541400	1/2×1-1/2	47.1	9.52	25.4	19.05
RC080542000	1/2×2	29.8	12.7	31.75	25.4



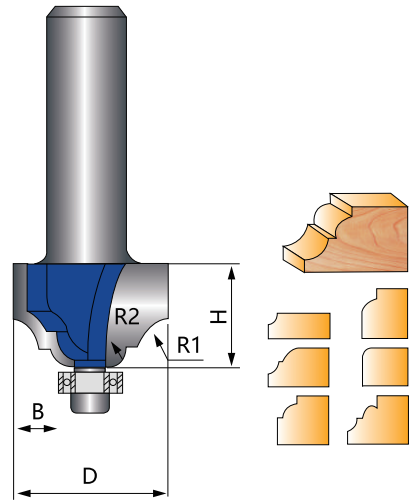
THE WOODWORKING KNIFE, COMPOSED OF A SHARP BLADE AND A COMFORTABLE HANDLE, IS A SPECIALIZED TOOL FOR WOODWORKING PROCESSES.



门斗条线刀

Classical Bits

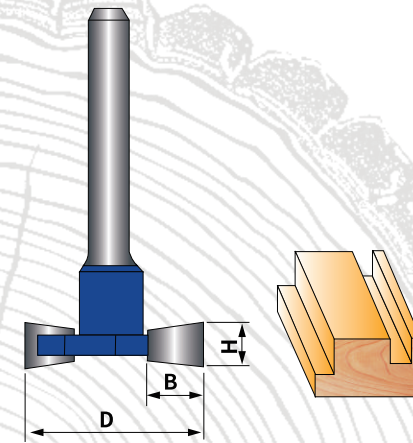
订单编号 Part No.	规格 size(inch)	直径 D(mm)	半径 R1(mm)	半径 R2(mm)	切削宽度 B(mm)	切削厚度 H(mm)
RC081220300	1/4×3/8	27.51	2.38	3.17	7.25	10
RC081220400	1/4×1/2	31.7	3.17	4.79	9.35	12.7
RC081220500	1/4×5/8	39.28	4.79	6.35	13.14	15.9
RC081220600	1/4×3/4	46.04	6.35	7.9	16.52	19.05
RC081220700	1/4×7/8	51.8	7.9	9.5	19.4	22.2
RC081221000	1/4×1	60.3	9.5	11.1	23.65	25.6
RC081240300	1/2×3/8	27.51	2.38	3.17	7.25	10
RC081240400	1/2×1/2	31.7	3.17	4.79	9.35	12.7
RC081240500	1/2×5/8	39.28	4.79	6.35	13.14	15.9
RC081240600	1/2×3/4	46.04	6.35	7.9	16.52	19.05
RC081240700	1/2×7/8	51.8	7.8	9.5	19.4	22.2
RC081241000	1/2×1	60.3	9.5	11.1	23.65	25.6
RC081241100	1/2×1-1/8	64.6	11.1	12.7	25.8	28.6
RC081241200	1/2×1-1/4	74.2	12.7	15.9	30.6	33.8
RC081241400	1/2×1-1/2	86.9	15.9	19.05	36.95	40.0
RC081242000	1/2×2	113	22.2	25.4	49.0	53.0



T型刀

"T"Type Slotting Cutter

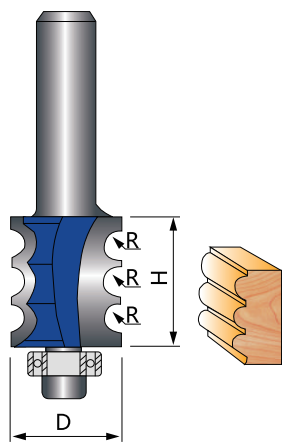
订单编号 Part No.	规格 size(inch)	直径 D(mm)	切削厚度 H(mm)	切削宽度 B(mm)
RC160220075	1/4×3/32	31.5	2.38	10.7
RC160220100	1/4×1/8	31.5	3.17	10.7
RC160220125	1/4×5/32	31.5	3.96	10.7
RC160220150	1/4×3/16	31.5	4.76	10.7
RC160220200	1/4×1/4	31.5	6.35	10.7
RC160220250	1/4×5/16	31.5	7.96	10.7
RC160220300	1/4×3/8	31.5	9.52	10.7
RC160220400	1/4×1/2	31.5	12.7	10.7
RC160220500	1/2×5/8	31.5	15.9	10.7
RC160240075	1/2×3/32	31.5	2.38	9.4
RC160240100	1/2×1/8	31.5	3.17	9.4
RC160240125	1/2×5/32	31.5	3.96	9.4
RC160240150	1/2×3/16	31.5	4.76	9.4
RC160240200	1/2×1/4	31.5	6.35	9.4
RC160240250	1/2×5/16	31.5	7.96	9.4
RC160240300	1/2×3/8	31.5	9.52	9.4
RC160240400	1/2×1/2	31.5	12.7	9.4
RC160240500	1/2×5/8	31.5	15.9	9.4
RC160240600	1/2×3/4	31.5	19.1	9.4
RC160240700	1/2×7/8	31.5	22.2	9.4
RC160241000	1/2×1	31.5	25.4	9.4
RC160241100	1/2×1-1/8	31.5	28.6	9.4



三珠饰刀

Mult-Beading Bits

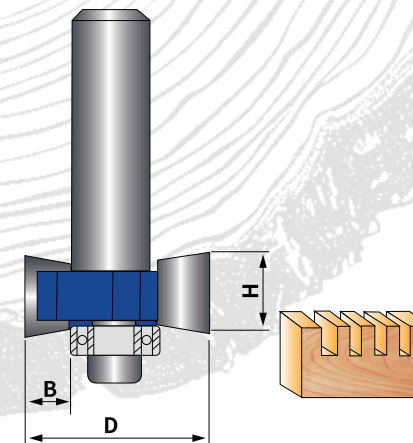
订单编号 Part No.	规格 size(inch)	直径 D(mm)	半径 R(mm)	切削厚度 H(mm)
Rc090320700	1/4×7/8	20.66	2.38	22.2
RC090321000	1/4×1	22.2	3.17	25.4
RC090340700	1/2×7/8	20.66	2.38	22.2
RC090341000	1/2×1	22.2	3.17	25.4
RC090341100	1/2×1-1/8	23.02	3.56	28.6
RC090341200	1/2×1-1/4	23.82	3.96	31.75
RC090341300	1/2×1-5/8	24.62	4.36	34.9
Rc090341350	1/2×1-7/16	25.42	4.76	36.51

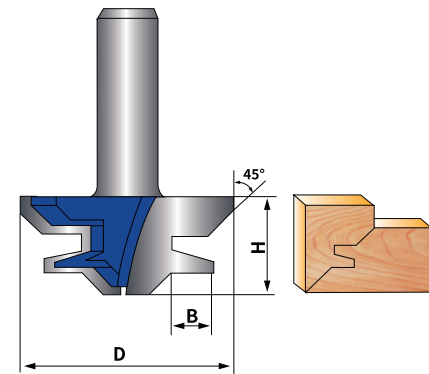
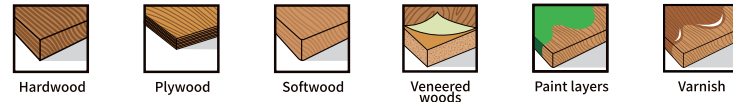


滚珠T型刀

"T"Type Bits

订单编号 Part No.	规格 size(inch)	直径 D(mm)	半径 R(mm)	切削厚度 H(mm)
RC160620075	1/4×3/32	31.75	2.38	9.37
RC160620100	1/4×1/8	31.75	3.17	9.37
RC160620125	1/4×5/32	31.75	3.96	9.37
RC160620150	1/4×3/16	31.75	4.76	9.37
RC160620200	1/4×1/4	31.75	6.35	9.37
RC160620250	1/4×5/16	31.75	7.96	9.37
RC160620300	1/4×3/8	31.75	9.52	9.37
RC160620400	1/4×1/2	31.75	12.7	9.37
RC160640075	1/2×3/32	31.75	2.38	9.37
RC160640100	1/2×1/8	31.75	3.17	9.37
RC160640125	1/2×5/32	31.75	3.96	9.37
RC160640150	1/2×3/16	31.75	4.76	9.37
RC160640200	1/2×1/4	31.75	6.35	9.37
RC160640250	1/2×5/16	31.75	7.96	9.37
RC160640300	1/2×3/8	31.75	9.52	9.37
RC160640400	1/2×1/2	31.75	12.7	9.37
RC160640500	1/2×5/8	31.75	15.9	9.37
RC160640600	1/2×3/4	31.75	19.05	9.37
RC160640700	1/2×7/8	31.75	22.2	9.37
RC160641000	1/2×1	31.75	25.4	9.37

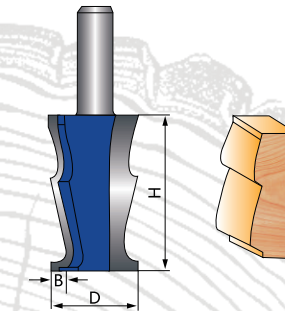




45°榫合刀

45°Lock Miter Bits

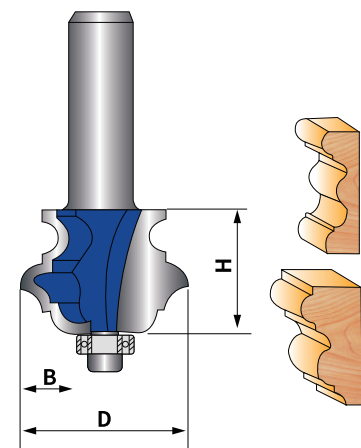
订单编号 Part No.	规格 size(inch)	直径 D(mm)	切削宽度 B(mm)	切削厚度 H(mm)
RC030821400	1/4×1-1/2	38.10	4.76	7.14
RC030841400	1/2×1-1/2	38.10	4.76	17.14
RC030841600	1/2×1-3/4	44.45	7.96	19.05
RC030842550	1/2×2-11/16	68.26	7.43	30.16
RC030843000	1/2×3	76.20	6.50	25.40
RC030843400	1/2×3-1/2	88.90	11.10	41.26



梯级扶手刀

Crown Moulding Bits

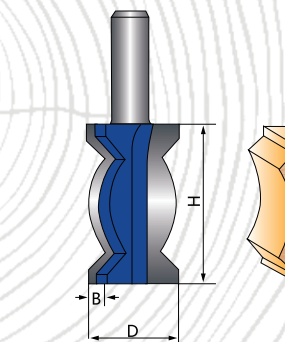
订单编号 Part No.	规格 size(inch)	直径 D(mm)	切削宽度 B(mm)	切削厚度 H(mm)
RC100840600	1/2×3/4	19.1	28.60	2.38
RC100840700	1/2×7/8	22.20	34.90	2.93
RC100841000	1/2×1	25.40	44.43	4.01
RC100841100	1/2×1-1/8	28.60	50.74	4.76
RC100841200	1/2×1-1/4	31.75	57.15	5.33



魔术刀

Classical Multiform Bits

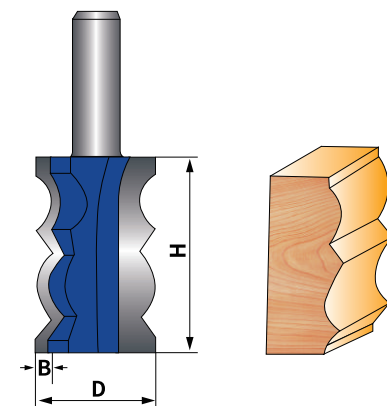
订单编号 Part No.	规格 size(inch)	直径 D(mm)	切削宽度 B(mm)	切削厚度 H(mm)
RC081620700	1/4×7/8	31.20	25.40	11.10
RC081621000	1/4×1	38.40	28.57	12.70
RC081640700	1/2×7/8	31.20	25.40	11.10
RC081641000	1/2×1	38.40	28.57	12.70
RC081641100	1/2×1-1/8	41.60	31.75	14.30
RC081641200	1/2×1-1/4	44.75	34.90	15.87
RC081641300	1/2×1-3/8	47.90	38.10	17.45
RC081641400	1/2×1-1/2	51.10	41.25	19.05
RC081641600	1/2×1-3/4	57.20	47.60	22.10



佛肚扶手刀

Crown Moulding Bits

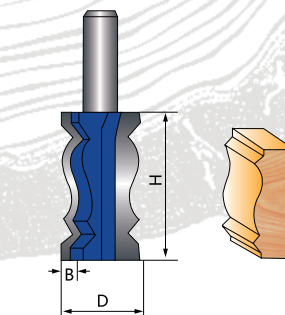
订单编号 Part No.	规格 size(inch)	直径 D(mm)	切削宽度 B(mm)	切削厚度 H(mm)
RC100940550	1/2×11/16	17.45	25.40	3.17
RC100940600	1/2×3/4	19.10	28.60	3.17
RC100940700	1/2×7/8	22.20	34.90	3.96
RC100941000	1/2×1	25.40	44.43	4.76
RC100941100	1/2×1-1/8	28.60	50.74	5.55
RC100941200	1/2×1-1/4	31.75	57.15	6.34



起伏扶手刀

Crown Moulding Bits

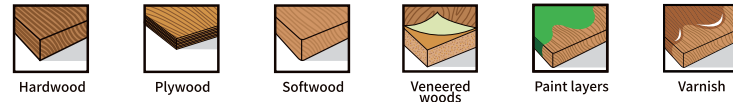
订单编号 Part No.	规格 size(inch)	直径 D(mm)	切削宽度 B(mm)	切削厚度 H(mm)
RC00440550	1/2×11/16	17.45	25.40	3.17
RC00440600	1/2×3/4	19.10	28.60	3.17
RC00440700	1/2×7/8	22.2	34.90	3.17
RC00441000	1/2×1	25.40	44.43	3.17
RC00441100	1/2×1-1/8	28.60	50.74	3.96
RC00441200	1/2×1-1/4	31.75	57.15	4.76



流线扶手刀

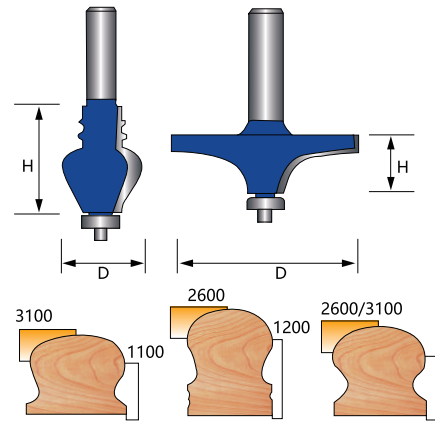
Crown Moulding Bits

订单编号 Part No.	规格 size(inch)	直径 D(mm)	切削宽度 B(mm)	切削厚度 H(mm)
RC101040600	1/2×3/4	19.35	28.60	3.17
RC101040700	1/2×7/8	22.20	34.90	3.17
RC101041000	1/2×1	25.40	44.43	3.17
RC101041100	1/2×1-1/8	28.60	50.74	3.96
RC101041200	1/2×1-1/4	31.75	57.15	4.76



套装扶手刀

Handrail & Finger Grip Bits



Handrail Bits

订单编号 Part No.	规格 size(inch)	直径 D(mm)	切削厚度 H(mm)
RC130442600	1/2×2-3/4	69.8	28.6
RC130443100	1/2×3-1/8	79.4	28.6

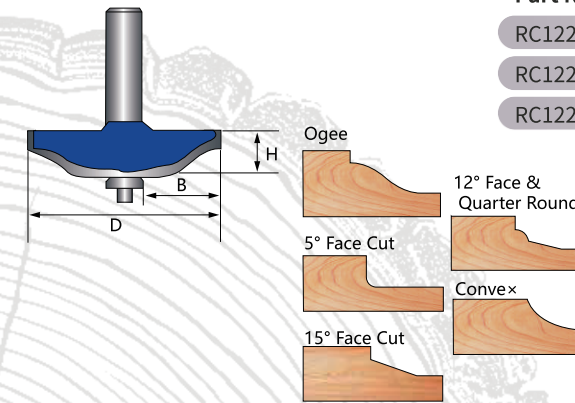
Finger Grip Bits

订单编号 Part No.	规格 size(inch)	直径 D(mm)	切削厚度 H(mm)
RC130441100	1/2×2-1/8	28.6	38.1
RC130441200	1/2×2-1/4	31.8	38.1

门板刀

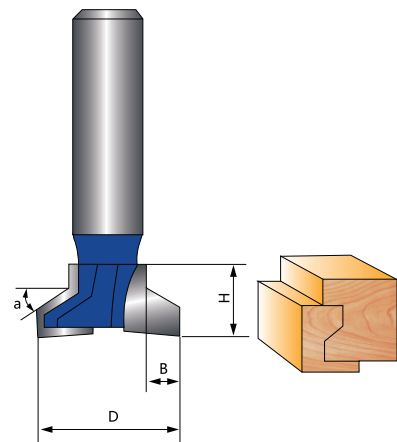
Raised Panel Bits

订单编号 Part No.	规格 size(inch)	直径 D(mm)	切削宽度 B(mm)	切削厚度 H(mm)
RC122042500	1/2×2-5/8	41.2	12.7	27
RC122043000	1/2×3	76.2	15.9	31.75
RC122043400	1/2×3-1/2	89	14.3	38.1



展锁刀

Drawer Lock Bits

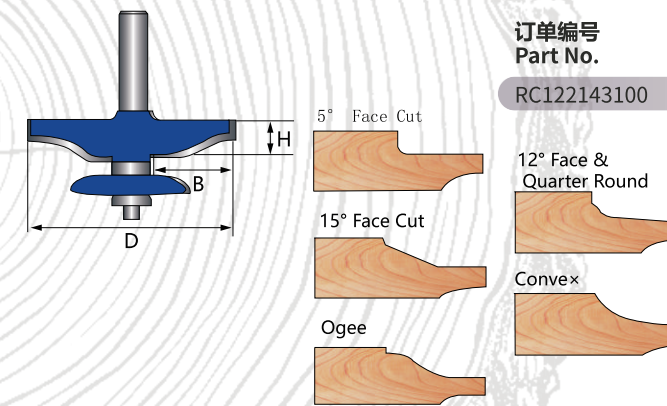


订单编号 Part No.	规格 size(inch)	直径 D(mm)	斜角 a	切削宽度 B(mm)	切削厚度 H(mm)
RC160120500	1/4×5/8	15.90	30°	2.40	11.10
RC160120600	1/4×3/4	19.05	30°	3.17	12.70
RC160120700	1/4×7/8	22.20	30°	4.75	12.70
RC160121000	1/4×1	25.40	30°	6.35	12.70
RC160140600	1/2×3/4	19.05	30°	3.17	12.70
RC160140700	1/2×7/8	22.20	30°	4.75	12.70
RC160141000	1/2×1	25.40	30°	6.35	12.70
RC160141100	1/2×1-1/8	28.60	30°	6.35	15.90
RC160141200	1/2×1-1/4	31.75	30°	7.92	19.05

门板刀

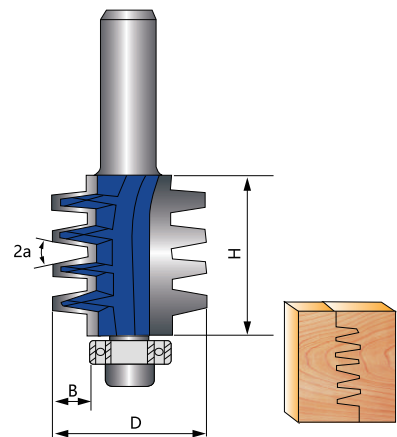
Raised Panel Bits W/Under Cutter

订单编号 Part No.	规格 size(inch)	直径 D(mm)	切削宽度 B(mm)	切削厚度 H(mm)
RC122143100	1/2×3-1/8	79.4	12.7	31.75



锥齿榫刀

Joint Bits



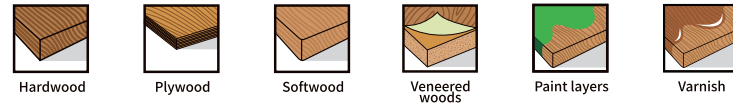
订单编号 Part No.	规格 size(inch)	直径 D(mm)	切削厚度 H(mm)	切削宽度 B(mm)	齿数 Z(mm)	锥度 2a
RC160820200	1/4×1/4	31.80	38.1	6.35	4	14°10'
RC160820250	1/4×5/16	34.90	38.1	7.92	4	11°30'
RC160840200	1/2×1/4	31.80	38.1	6.35	4	14°10'
RC160840250	1/2×5/16	34.90	38.1	7.92	4	11°30'
RC160840300	1/2×3/8	38.10	38.1	9.52	4	9°30'
RC160840350	1/2×7/16	41.30	38.1	11.10	4	8°11'
RC160840400	1/2×1/2	44.45	38.1	12.70	4	7°04'

榫口刀

Rabbeting Bits

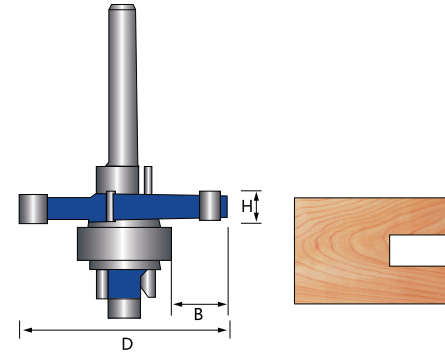
订单编号 Part No.	规格 size(inch)	直径 D(mm)	切削宽度 B(mm)	切削厚度 H(mm)
RC160520200	1/4×1/4	31.75	6.35	6.35
RC160520250	1/4×5/16	31.75	7.93	6.35
RC160520300	1/4×3/8	31.75	9.52	6.35
RC160520400	1/4×1/2	31.75	12.7	6.35
RC160540200	1/2×1/4	31.75	6.35	6.35
RC160540250	1/2×5/16	31.75	7.93	6.35
RC160540300	1/2×3/8	31.75	9.52	6.35
RC160540400	1/2×1/2	31.75	12.7	6.35
RC160540500	1/2×5/8	31.75	15.9	6.35
RC160540600	1/2×3/4	31.75	19.05	6.35
RC160540700	1/2×7/8	31.75	22.2	6.3

THE WOODWORKING KNIFE, COMPOSED OF A SHARP BLADE AND A COMFORTABLE HANDLE, IS A SPECIALIZED TOOL FOR WOODWORKING PROCESSES.



三刃T型刀

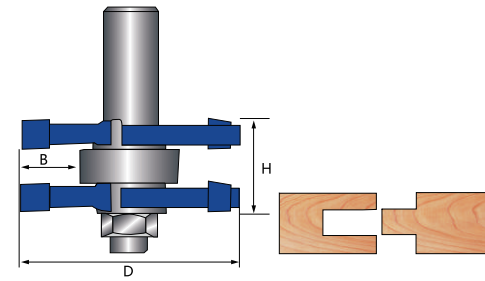
3Wing Slotting Cutter(Bearing 22mm)



订单编号 Part No.	规格 size(inch)	直径 D(mm)	切削厚度 H(mm)
RC161020075	1/4×3/32	47.6	2.38
RC161020100	1/4×1/8	47.6	3.17
RC161020125	1/4×5/32	47.6	3.96
RC161020150	1/4×3/16	47.6	4.76
RC161020200	1/4×1/4	47.6	6.35
RC161040075	1/2×3/32	47.6	2.38
RC161040100	1/2×1/8	47.6	3.17
RC161040125	1/2×5/32	47.6	3.96
RC161040150	1/2×3/16	47.6	4.76
RC161040200	1/2×1/4	47.6	6.35

T型榫合刀

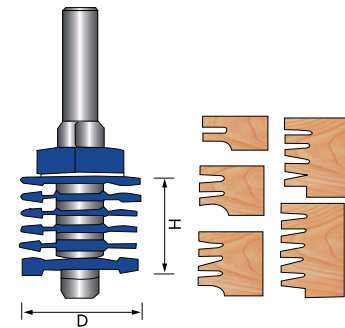
Tongue & Groove Assembly



订单编号 Part No.	规格 size(inch)	直径 D(mm)	切削宽度 B(mm)	切削厚度 H(mm)
RC161120300	1/4×3/8	41.27	15.9	19.05
RC161140400	1/2×1/2	47.6	12.7	19.05

指接刀

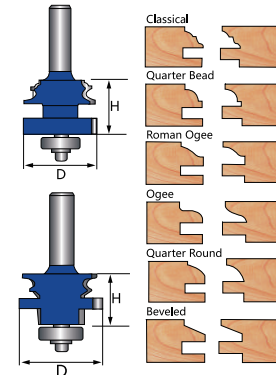
Adjustable Finger Joint Bits



订单编号 Part No.	规格 size(inch)	直径 D(mm)	切削厚度 H(mm)
RC161240450	1/2×9/16	39.7	19.05

榫合刀

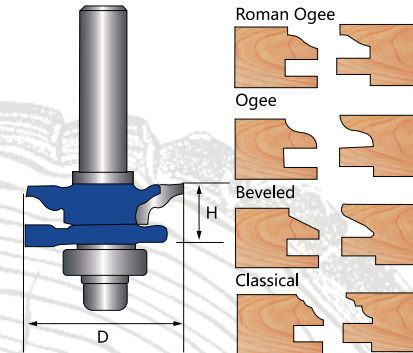
Matched Rail & Stile Bits Set



订单编号 Part No.	规格 size(inch)	直径 D(mm)	切削厚度 H(mm)
RC17141600	1/2×1-3/4	44.45	28.6

可逆榫合刀

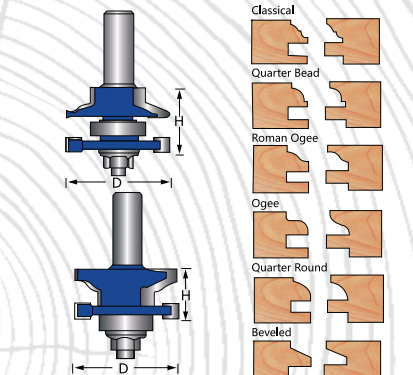
Reversible Rail & Stile Bits



订单编号 Part No.	规格 size(inch)	直径 D(mm)	切削厚度 H(mm)
RC17151500	1/2×1-5/8	41.3	20.63

榫合刀

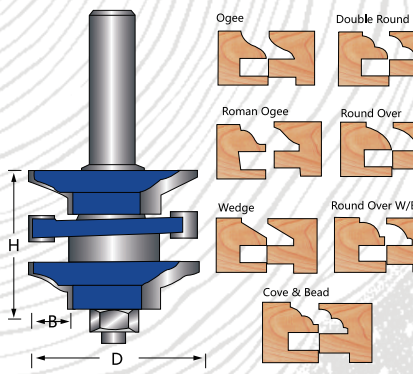
Matched Rail & Stile Bits Set



订单编号 Part No.	规格 size(inch)	直径 D(mm)	切削厚度 H(mm)
RC17161500	1/2×1-5/8	41.3	19.05

榫合刀

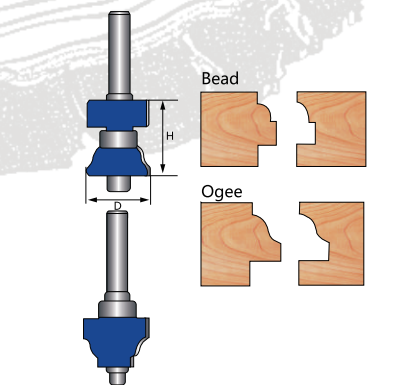
1pe Stacked Rail & Stile Bit Set



订单编号 Part No.	规格 size(inch)	直径 D(mm)	切削厚度 H(mm)
RC17171500	1/2×1-5/8	41.3	34.9

长户榫合刀

Window Sash Set



订单编号 Part No.	规格 size(inch)	直径 D(mm)	切削厚度 H(mm)
RC172140700	1/2×7/8	38.1	22.2
RC172141300	1/2×1-3/8	38.1	34.9

DRILL BITS

ELECTRIC HAMMER DRILL BIT SERIES

一字钻头
Flat tip

十字钻头
Cross tip

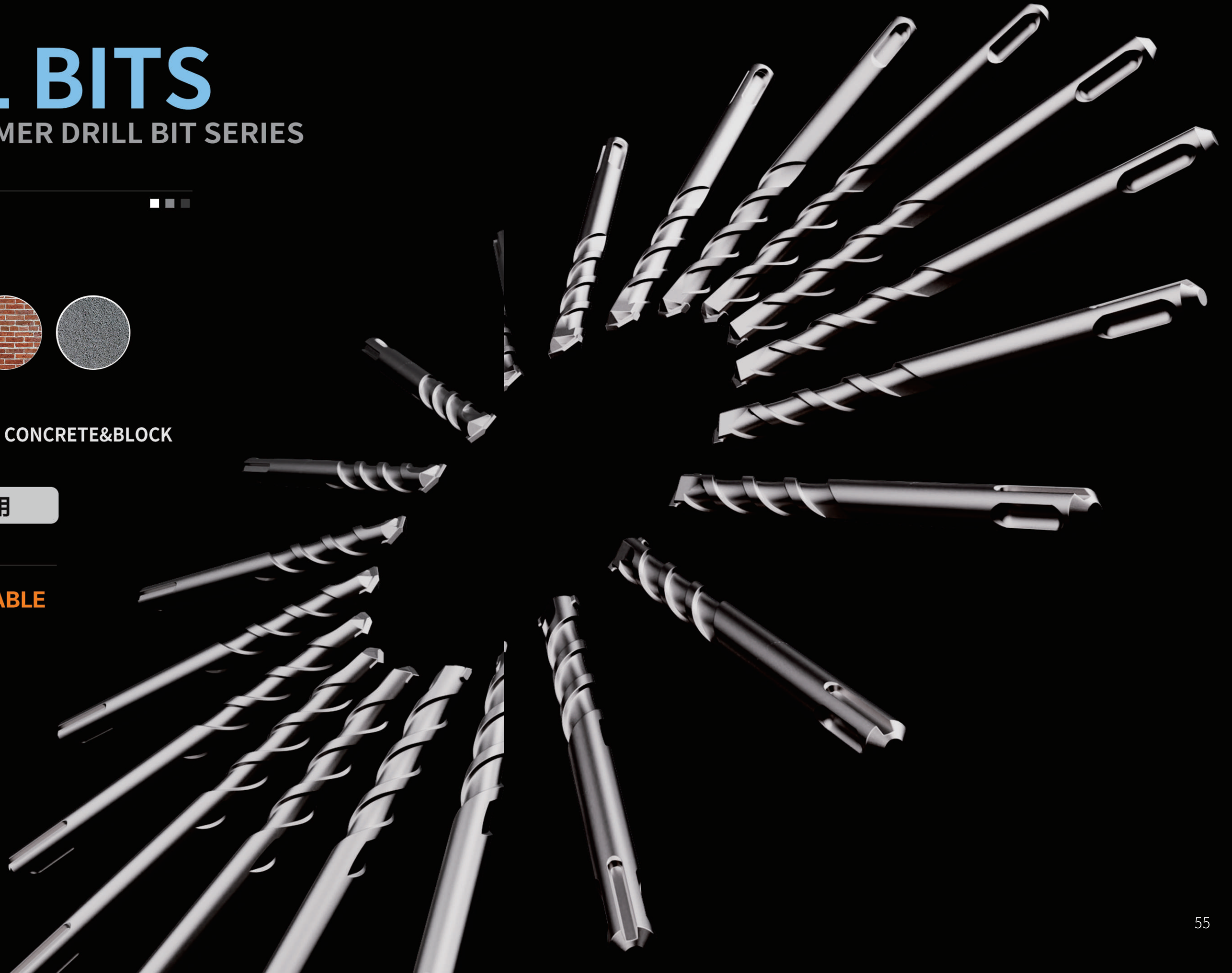


Use For
STONE CEMENT BRICK CONCRETE&BLOCK

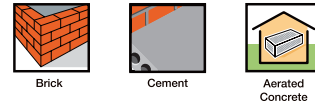
DRILL

专业品质 持久耐用

STRONG AND DURABLE



A drill bit is a tool used for drilling holes in hard materials and is responsible for rotating and cutting the material on the work surface



硬质合金电锤钻 SDS Hammer drill bits.

The body of drill is a high grade steel,the tip is welded with carbide tips, It can be used with various types of electric hammer and it is a widely applicable and highly efficient drilling tool for construction and installation trade.

圆柄一字电锤钻头 SDS -PLUS hammer drill bit



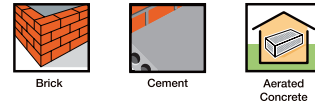
Part NO.	Size (mm)	Part NO.	Size (mm)	Part NO.	Size (mm)
RC01-001	5.0×110	RC01-043	6.0×260	RC01-085	18.0×410
RC01-002	5.5×110	RC01-044	7.0×260	RC01-086	19.0×410
RC01-003	6.0×110	RC01-045	8.0×260	RC01-087	20.0×410
RC01-004	6.5×110	RC01-046	10.0×260	RC01-088	22.0×410
RC01-005	7.0×110	RC01-047	11.0×260	RC01-089	24.0×410
RC01-006	8.0×110	RC01-048	12.0×260	RC01-090	25.0×410
RC01-007	9.0×110	RC01-049	13.0×260	RC01-091	26.0×410
RC01-008	10.0×110	RC01-050	14.0×260	RC01-092	8.0×450
RC01-009	5.0×160	RC01-051	15.0×260	RC01-093	10.0×450
RC01-010	6.0×160	RC01-052	16.0×260	RC01-094	12.0×450
RC01-011	6.5×160	RC01-053	18.0×260	RC01-095	14.0×450
RC01-012	7.0×160	RC01-054	20.0×260	RC01-096	16.0×450
RC01-013	8.0×160	RC01-055	22.0×260	RC01-097	18.0×450
RC01-014	9.0×160	RC01-056	24.0×260	RC01-098	19.0×450
RC01-015	10.0×160	RC01-057	25.0×260	RC01-099	20.0×450
RC01-016	11.0×160	RC01-058	26.0×260	RC01-100	22.0×450
RC01-017	12.0×160	RC01-059	8.0×310	RC01-101	24.0×450
RC01-018	13.0×160	RC01-060	10.0×310	RC01-102	25.0×450
RC01-019	14.0×160	RC01-061	12.0×310	RC01-103	26.0×450
RC01-020	15.0×160	RC01-062	13.0×310	RC01-104	8.0×600
RC01-021	16.0×160	RC01-063	14.0×310	RC01-105	10.0×600
RC01-022	5.0×210	RC01-064	16.0×310	RC01-106	12.0×600
RC01-023	5.5×210	RC01-065	18.0×310	RC01-107	14.0×600
RC01-024	6.0×210	RC01-066	20.0×310	RC01-108	16.0×600
RC01-025	6.5×210	RC01-067	22.0×310	RC01-109	18.0×600
RC01-026	7.0×210	RC01-068	24.0×310	RC01-110	20.0×600
RC01-027	8.0×210	RC01-069	25.0×310	RC01-111	22.0×600
RC01-028	9.0×210	RC01-070	26.0×310	RC01-112	24.0×600
RC01-029	10.0×210	RC01-071	10.0×350	RC01-113	25.0×600
RC01-030	11.0×210	RC01-072	12.0×350	RC01-114	26.0×600
RC01-031	12.0×210	RC01-073	14.0×350	RC01-115	10.0×1000
RC01-032	13.0×210	RC01-074	16.0×350	RC01-116	12.0×1000
RC01-033	14.0×210	RC01-075	18.0×350	RC01-117	14.0×1000
RC01-034	15.0×210	RC01-076	20.0×350	RC01-118	16.0×1000
RC01-035	16.0×210	RC01-077	22.0×350	RC01-119	18.0×1000
RC01-036	18.0×210	RC01-078	24.0×350	RC01-120	20.0×1000
RC01-037	19.0×210	RC01-079	25.0×350	RC01-121	22.0×1000
RC01-038	20.0×210	RC01-080	8.0×410	RC01-122	24.0×1000
RC01-039	22.0×210	RC01-081	10.0×410	RC01-123	25.0×1000
RC01-040	24.0×210	RC01-082	12.0×410	RC01-124	26.0×1000
RC01-041	25.0×210	RC01-083	14.0×410		
RC01-042	26.0×210	RC01-084	16.0×410		

五坑一字电锤钻头 SDS -Max hammer drill bit



Part NO.	Size (mm)	Part NO.	Size (mm)	Part NO.	Size (mm)
RC02-001	12.0×340	RC02-037	35.0×320	RC02-073	28.0×570
RC02-002	14.0×340	RC02-038	35.0×320	RC02-074	30.0×570
RC02-003	16.0×340	RC02-039	40.0×320	RC02-075	32.0×570
RC02-004	18.0×340	RC02-040	12.0×520	RC02-076	35.0×570
RC02-005	20.0×340	RC02-041	14.0×520	RC02-077	38.0×570
RC02-006	22.0×340	RC02-042	16.0×520	RC02-078	40.0×570
RC02-007	25.0×340	RC02-043	18.0×520	RC02-079	12.0×552
RC02-008	28.0×340	RC02-044	20.0×520	RC02-080	14.0×552
RC02-009	30.0×340	RC02-045	22.0×520	RC02-081	16.0×552
RC02-010	32.0×340	RC02-046	25.0×520	RC02-082	18.0×552
RC02-011	35.0×340	RC02-047	28.0×520	RC02-083	20.0×552
RC02-012	38.0×340	RC02-048	30.0×520	RC02-084	22.0×552
RC02-013	40.0×340	RC02-049	32.0×520	RC02-085	25.0×552
RC02-014	12.0×540	RC02-050	35.0×520	RC02-086	28.0×552
RC02-015	14.0×540	RC02-051	38.0×520	RC02-087	30.0×552
RC02-016	16.0×540	RC02-052	40.0×520	RC02-088	32.0×552
RC02-017	18.0×540	RC02-053	12.0×370	RC02-089	35.0×552
RC02-018	20.0×540	RC02-054	14.0×370	RC02-090	38.0×552
RC02-019	22.0×540	RC02-055	16.0×370	RC02-091	40.0×552
RC02-020	25.0×540	RC02-056	18.0×370	RC02-092	16.0×792
RC02-021	28.0×540	RC02-057	20.0×370	RC02-093	18.0×792
RC02-022	30.0×540	RC02-058	22.0×370	RC02-094	20.0×792
RC02-023	32.0×540	RC02-059	25.0×370	RC02-095	22.0×792
RC02-024	35.0×540	RC02-060	28.0×370	RC02-096	25.0×792
RC02-025	38.0×540	RC02-061	30.0×370	RC02-097	28.0×792
RC02-026	40.0×540	RC02-062	32.0×370	RC02-098	30.0×792
RC02-027	12.0×320	RC02-063	35.0×370	RC02-099	32.0×792
RC02-028	14.0×320	RC02-064	38.0×370	RC02-100	35.0×792
RC02-029	16.0×320	RC02-065	40.0×370	RC02-101	38.0×792
RC02-030	18.0×320	RC02-066	12.0×570	RC02-102	40.0×792
RC02-031	20.0×320	RC02-067	14.0×570		
RC02-032	22.0×320	RC02-068	16.0×570		
RC02-033	25.0×320	RC02-069	18.0×570		
RC02-034	28.0×320	RC02-070	20.0×570		
RC02-035	30.0×320	RC02-071	22.0×570		
RC02-036	32.0×320	RC02-072	25.0×570		

A drill bit is a tool used for drilling holes in hard materials and is responsible for rotating and cutting the material on the work surface



四坑十字电锤钻头 SDS-PLUS Hammer Drill Bit



*:MOQ required.
 If special size required, please contact our business department.

Part NO.	Size (mm)	Part NO.	Size (mm)	Part NO.	Size (mm)
RC03-001	6x110	RC03-038*	10x800	RC03-075*	15x160
RC03-002	6x160	RC03-039	10x1000	RC03-076*	15x210
RC03-003	6x210	RC03-040*	11x160	RC03-077*	15x260
RC03-004	6x260	RC03-041*	11x210	RC03-078*	15x310
RC03-005	6x350	RC03-042*	11x260	RC03-079*	15x350
RC03-006	6.5x110	RC03-043*	11x310	RC03-080	15x460
RC03-007	6.5x160	RC03-044*	11x350	RC03-081	16x160
RC03-008	6.5x210	RC03-045*	11x460	RC03-082	16x210
RC03-009	6.5x260	RC03-046*	11x600	RC03-083	16x260
RC03-010*	7x110	RC03-047*	12x110	RC03-084	16x310
RC03-011	7x160	RC03-048	12x160	RC03-085	16x350
RC03-012*	7x210	RC03-049	12x210	RC03-086*	16x400
RC03-013	7x260	RC03-050	12x260	RC03-087	16x460
RC03-014	8x110	RC03-051	12x310	RC03-088	16x600
RC03-015	8x160	RC03-052	12x350	RC03-089*	16x800
RC03-016	8x210	RC03-053*	12x400	RC03-090	16x1000
RC03-017	8x260	RC03-054	12x460	RC03-091*	17x210
RC03-018	8x310	RC03-055	12x600	RC03-092*	17x260
RC03-019	8x350	RC03-056*	12x800	RC03-093*	17x310
RC03-020*	8x400	RC03-057	12x1000	RC03-094*	17x350
RC03-021	8x460	RC03-058*	13x160	RC03-095*	17x460
RC03-022*	9x110	RC03-059*	13x210	RC03-096	18x210
RC03-023	9x160	RC03-060*	13x260	RC03-097	18x260
RC03-024	9x210	RC03-061*	13x310	RC03-098	18x310
RC03-025	9x260	RC03-062*	13x350	RC03-099	18x350
RC03-026	9x310	RC03-063*	13x460	RC03-100*	18x400
RC03-027	9x350	RC03-064*	13x600	RC03-101	18x460
RC03-028	9x460	RC03-065	14x160	RC03-102	18x600
RC03-029	10x110	RC03-066	14x210	RC03-103*	18x800
RC03-030	10x160	RC03-067	14x260	RC03-104	18x1000
RC03-031	10x210	RC03-068	14x310	RC03-105*	19x210
RC03-032	10x260	RC03-069	14x350	RC03-106*	19x260
RC03-033	10x310	RC03-070*	14x400	RC03-107*	19x310
RC03-034	10x350	RC03-071	14x460	RC03-108*	19x350
RC03-035*	10x400	RC03-072	14x600	RC03-109*	19x460
RC03-036	10x460	RC03-073	14x800	RC03-110	20x210
RC03-037	10x600	RC03-074	14x1000	RC03-111	20x260

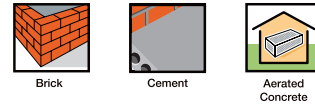
五坑十字电锤钻头 SDS -Max hammer drill bit



*:MOQ required.
 If special size required, please contact our business department.

Part NO.	Size (mm)	Part NO.	Size (mm)	Part NO.	Size (mm)
RC04-001*	10x260	RC04-035*	20x400	RC04-069	30x540
RC04-002	10x340	RC04-036	20x540	RC04-070	30x600
RC04-003	10x540	RC04-037	20x600	RC04-071	30x670
RC04-004	10x600	RC04-038	20x670	RC04-072	30x800
RC04-005	12x260	RC04-039	20x800	RC04-073	30x1000
RC04-006	12x340	RC04-040	20x1000	RC04-074*	32x340
RC04-007	12x540	RC04-041	22x260	RC04-075	32x540
RC04-008	12x600	RC04-042	22x340	RC04-076	32x600
RC04-009	14x260	RC04-043*	22x400	RC04-077	32x800
RC04-010	14x340	RC04-044	22x505	RC04-078	32x1000
RC04-011*	14x400	RC04-045	22x540	RC04-079	35x540
RC04-012	14x540	RC04-046	22x600	RC04-080	35x600
RC04-013	14x600	RC04-047	22x670	RC04-081	35x670
RC04-014	14x670	RC04-048	22x800	RC04-082	35x800
RC04-015	14x1000	RC04-049	22x1000	RC04-083	35x1000
RC04-016	16x260	RC04-050	25x260	RC04-084*	38x400
RC04-017	16x340	RC04-051	25x340	RC04-085	38x600
RC04-018	16x505	RC04-052*	25x400	RC04-086	38x800
RC04-019	16x540	RC04-053	25x505	RC04-087	38x1000
RC04-020	16x600	RC04-054	25x540	RC04-088	40x540
RC04-021	16x670	RC04-055	25x600	RC04-089	40x600
RC04-022	16x800	RC04-056	25x800	RC04-090	40x670
RC04-023	16x1000	RC04-057	25x1000	RC04-091	40x800
RC04-024	18x260	RC04-058	28x340	RC04-092	40x1000
RC04-025	18x340	RC04-059*	28x400	RC04-093	42x570
RC04-026*	18x400	RC04-060	28x505	RC04-094	42x600
RC04-027	18x505	RC04-061	28x540	RC04-095	42x800
RC04-028	18x540	RC04-062	28x600	RC04-096	42x1000
RC04-029	18x600	RC04-063	28x670	RC04-097	45x540
RC04-030	18x670	RC04-064	28x800	RC04-098	45x1000
RC04-031	18x800	RC04-065	28x1000	RC04-099	52x540
RC04-032	18x1000	RC04-066	30x340	RC04-100	52x1000
RC04-033	20x260	RC04-067*	30x400		
RC04-034	20x340	RC04-068*	30x505		

A drill bit is a tool used for drilling holes in hard materials and is responsible for rotating and cutting the material on the work surface



六角柄冲击钻头 Masonry drill bit with hex shank



Part NO.	Size (mm)	Part NO.	Size (mm)	Part NO.	Size (mm)
RC05-001	3×60	RC05-007	8×120	RC05-013	14×350
RC05-002	4×60	RC05-008	10×120	RC05-014	16×150
RC05-003	5×85	RC05-009	10×350	RC05-015	16×350
RC05-004	6×100	RC05-010	12×120	RC05-016	18×350
RC05-005	6×100	RC05-011	12×350	RC05-017	20×350
RC05-006	7×100	RC05-012	14×150	RC05-018	20×350

圆柄冲击钻头 Masonry drill bit with round shank



*:MOQ required.
 If special size required,please contact our business department.

Part NO.	Size (mm)	Part NO.	Size (mm)	Part NO.	Size (mm)
RC06-001	3x60	RC06-023	9x150	RC06-045	14x150
RC06-002*	3.5x60	RC06-024	9x200	RC06-046	14x200
RC06-003	4x70	RC06-025	9.5x150	RC06-047*	14x300
RC06-004	5x85	RC06-026*	9.5x300	RC06-048*	14x400
RC06-005	5x150	RC06-027	10x110	RC06-049*	14x600
RC06-006*	5.5x100	RC06-028	10x150	RC06-050	15x150
RC06-007	6x100	RC06-029	10x200	RC06-051*	15x300
RC06-008	6x150	RC06-030*	10x300	RC06-052	16x150
RC06-009	6x200	RC06-031*	10x400	RC06-053*	16x300
RC06-010*	6x300	RC06-032*	10x600	RC06-054*	16x400
RC06-011*	6x400	RC06-033	11x150	RC06-055*	16x600
RC06-012	6.5x100	RC06-034	11x200	RC06-056*	18x160
RC06-013	6.5x150	RC06-035*	11x300	RC06-057*	18x200
RC06-014*	6.5x300	RC06-036	12x120	RC06-058*	18x300
RC06-015	7x100	RC06-037	12x150	RC06-059*	18x400
RC06-016	7x150	RC06-038	12x200	RC06-060*	18x600
RC06-017	8x110	RC06-039*	12x300	RC06-061*	20x160
RC06-018	8x150	RC06-040*	12x400	RC06-062	20x300
RC06-019	8x200	RC06-041	12x600	RC06-063*	20x400
RC06-020*	8x300	RC06-042	12.7x150	RC06-064*	20x600
RC06-021*	8x400	RC06-043*	12.7x300	RC06-065*	22x300
RC06-022	9x110	RC06-044	13x150	RC06-066*	22x400

多功能钻 Multi-functional drill bit



▲ Triangle Shank FD-CYL-5 ● Straight Shank FD-CYL-6 ● 1/4" Hex Shank FD-CYL-7

MOQ required.
 If special size required,please contact our business department.



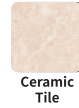
Size (mm)	▲ Part NO.	● Part NO.	● Part NO.
3x70		RC08-001	
3x90			RC09-001
4x75		RC07-002	
4x90			RC09-002
4x150		RC08-003	RC09-003
5x85		RC08-004	RC09-004
5x100		RC08-005	RC09-005
5x150		RC08-006	RC09-006
5.5x100		RC08-007	RC09-007
5.5x150		RC08-008	RC09-008
6x100	RC06-001	RC08-009	RC09-009
6x150	RC07-002	RC08-010	RC09-010
6.5x100	RC07-003	RC08-011	RC09-011
6.5x150	RC07-004	RC08-012	RC09-012
7x100	RC07-005	RC08-013	RC09-013
7x150	RC07-006	RC08-014	RC09-014
8x120	RC07-007	RC08-015	RC09-015
8x150	RC07-008	RC08-016	RC09-016
8x200	RC07-009	RC08-017	RC09-017
8x260	RC07-010	RC08-018	RC09-018
9x120	RC07-011	RC08-019	
10x120	RC07-012	RC08-020	RC09-019
10x150	RC07-013	RC08-021	RC09-020
10x200	RC07-014	RC08-022	RC09-021
10x260	RC07-015	RC08-023	RC09-022
11x150	RC07-016	RC08-024	RC09-023
12x150	RC07-017	RC08-025	RC09-024
12x200	RC07-018	RC08-026	RC09-025
12x260	RC07-019	RC08-027	RC09-026
13x150	RC07-020	RC08-028	RC09-027
13x200	RC07-021	RC08-029	RC09-028
14x150	RC07-022	RC08-030	
14x200	RC07-023	RC08-031	
14x260	RC07-024	RC08-032	

六角柄霸王钻 Masonry drill bit with hex shank



Part NO.	Size (mm)	Part NO.	Size (mm)	Part NO.	Size (mm)
RC10-001	6×95	RC10-003	10×116	RC10-004	12×116
RC10-002	8×111				

is a tool designed to drill holes into glass surfaces, usually with specially designed drill bits to reduce stress and damage to the glass



玻璃钻 Glass Drill

A glass drill is a tool designed to drill holes into glass surfaces, usually with specially designed drill bits to reduce stress and damage to the glass, and equipped with a cooling system to prevent the glass from breaking.

圆柄玻璃钻 Glass Drill Bit



Part NO.	Size (mm)	Part NO.	Size (mm)	Part NO.	Size (mm)
RC11-001	3×75	RC11-005	6×1000	RC11-009	10×120
RC11-002	4×75	RC11-006	6.5×75	RC11-010	12×120
RC11-003	5×75	RC11-007	6.5×1000		
RC11-004	6×75	RC11-008	8×120		

六角柄玻璃钻 Glass Drill With Hex Shank



Part NO.	Size (mm)	Part NO.	Size (mm)	Part NO.	Size (mm)
RC12-001	3×76	RC12-005	6.5×76	RC12-009	12×80
RC12-002	4×76	RC12-006	8×76	RC12-010	12×120
RC12-003	5×76	RC12-007	10×80		
RC12-004	6×76	RC12-008	10×120		

六角柄玻璃钻 Glass Drill With Hex Shank



Part NO.	Size (mm)	Part NO.	Size (mm)	Part NO.	Size (mm)
RC13-001	3×91	RC13-004	6×99	RC13-007	12×122
RC13-002	4×97	RC13-005	8×116		
RC13-003	5×97	RC13-006	10×122		



圆柄十字玻璃钻 Round shank glass drill bit with cross head

Part NO.	Size (mm)	Part NO.	Size (mm)	Part NO.	Size (mm)
RC14-001	4×75	RC14-004	6×1000	RC14-007	8×120
RC14-002	5×75	RC14-005	6.5×75	RC14-008	10×120
RC14-003	6×75	RC14-006	6.5×1000	RC14-009	12×120

六角柄十字玻璃钻 Hex shank glass drill bit with cross head



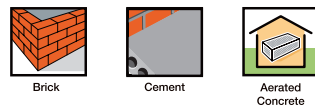
Part NO.	Size (mm)	Part NO.	Size (mm)	Part NO.	Size (mm)
RC15-001	3×92	RC15-004	6×100	RC15-007	10×123
RC15-002	4×98	RC15-005	6.5×100	RC15-008	12×123
RC15-003	5×98	RC15-006	8×117		



6支装玻璃钻 6pcs Glass Drill Set

Size: 3mm, 4mm, 5mm, 6mm, 8mm, 10mm

A drill bit is a tool used for drilling holes in hard materials and is responsible for rotating and cutting the material on the work surface



Art.No.:RC-D003H

3件套电锤钻

3pcs SDS Drill Bits Set

Sizes as 12-16-24mm×1000mm



Art.No.:RC-D005H

5件套电锤钻

5pcs SDS Drill Bits Set

Sizes as 10-12-16-22-25mm×600mm



Art.No.:RC-D003P

3件套电锤钻 3pcs SDS Drill Bits Set

Size: A:5mm,6mm,8mmX110mm

B:5mm,6mm,8mmX160mm

C:5mm, 6mm X110mm,8mmX 160mm



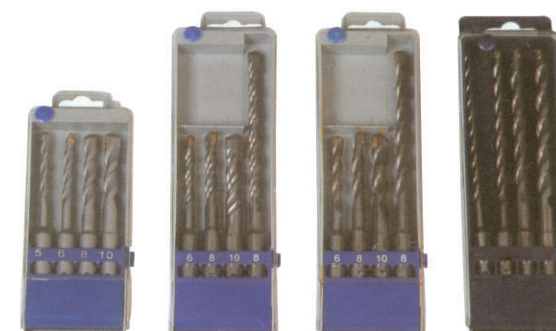
Art.No.:RC-D004P

4件套电锤钻 4pcs SDS Drill Bits Set

Size: A:5mm, 6mm, 8mm, 10mmX110

B:6mm,8mm,10mmX110mm,6mmX 160mm

C:5mm, 6mm, 8mm, 10mmX160mm



Art.No.:RC-D005P

5件套电锤钻 5pcs SDS Drill Bits Set

Size:6mm, 8mmX110,

6mm, 8mm, 10mmX160

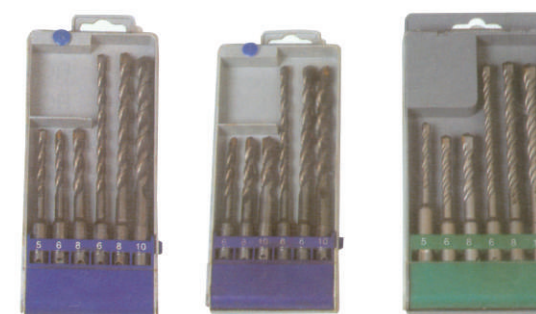


Art.No.:RC-D006P

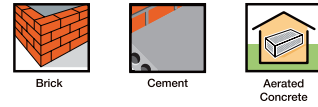
6件套电锤钻 6pcs SDS Drill Bits Set

Size:5mm, 6mm, 8mmX110mm,

6mm,8mm,10mmX160mm



A drill bit is a tool used for drilling holes in hard materials and is responsible for rotating and cutting the material on the work surface



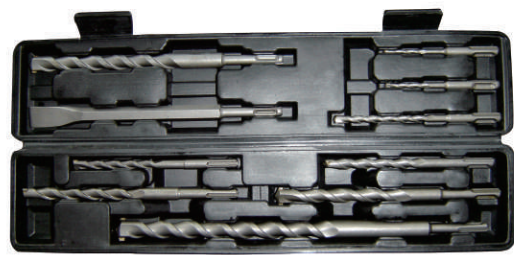
Art.No.:RC-D07P 7件套电锤钻 7pcs SDS Drill Bits Set

Size:6mm, 8mm, 10mm, 12mmX160mm,
 Chisel ϕ 14mmx250mm 尖,
 ϕ 14mmX250mmX20mm
 ϕ 14mmX250mmX40mm



Art.No.:RC-D008P1 8件套电锤钻 8pcs SDs Drill Bits Set

Size:5mm, 6mm, 8mmX110mm,
 6mm,8mm,10mm,12mmX160mm,
 12mmX210mm



Art.No.:RC-D010P 10件套电锤钻 10pcs SDs Drill Bits set

Size:5mm, 6mmX110mm,
 8mm,10mm, 12mmX160mm,
 14mm, 16mmX210mm,
 18mmX250mm,
 22mmX350mm,
 Flat Chisel 250mm



Art.No.:RC-D011P 11件套电锤钻 11pcs SDS Drill Bits Set

Size: 5mm, 6mmX110mm,
 6mm,8mm,10mmX160mm,
 10mm, 12mmX210mm,
 10mm, 12mm, 16mm, 20mmX450mm,



Art.No.:RC-D011AW 11件套电锤钻 11pcs SDS Drill Bits Set

Size:5mm, 6mmX110mm,
 6mm,8mm,10mmX160mm,
 10mm,12mmx210mm,
 10mm, 12mm, 16mm, 20mmX450mm



Art.No.:RC-D012ALW1 12件套电锤钻 12pcs SDS Drill Bits Set

Size:5mm, 6mmX110mm
 6mm,8mm, 10mmX160mm
 10mm, 12mmX210mm
 10mm, 12mm, 16mmX450mm
 Point Chisel 250mm
 Flat Chisel 20x250mm



Art.No.:RC-D012ALW2 12件套电锤钻 12pcs SDS Drill Bits Set

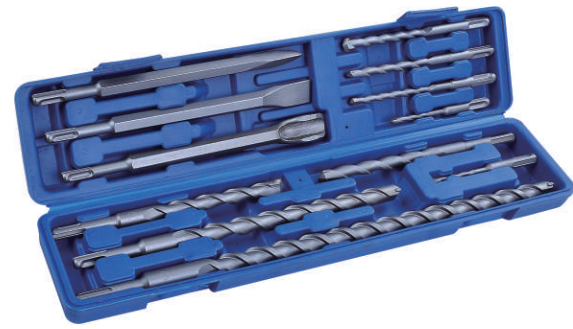
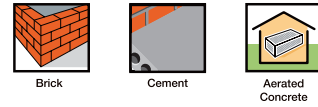
Size:5mm, 6mmX110mm
 8mm, 10mm, 12mmX160mm
 14mmX200mm
 16mmX210mm
 18x300mm
 20mmX450mm
 Point Chisel 250mm
 Flat Chisel 20x250mm, 40mmx250mm



Art.No.:RC-D011P1 11件套电锤钻 11pcs SDS Drill Bits Set

Size:5mm, 6mmX110mm,
 8mm,10mm, 12mmX160mm,
 14mm,16mmX210mm,
 18mmX250mm,
 22mmX350mm
 Point Chisel 250mm,
 Flat Chisel 20x250mm

A drill bit is a tool used for drilling holes in hard materials and is responsible for rotating and cutting the material on the work surface



Art.No.:RC-D012P 12 件套电锤钻 12pcs SDS Drill Bits Set

- Size:5mm, 6mmX110mm,
- 8mm 10mm, 12mmX160mm,
- 14mm,16mmX210mm,
- 18mmX 300mm,
- 20mmX450mm,
- Flat Chisel 20mmx250mm,
- Point Chisel 250mm,
- U Groove Chisel 250mm



Art.No.:RC-D013P 13 件套电锤钻 13pcs SDS Drill Bits Set

- Size:6mm, 8mm,10mm, 12mmX160mm,
- 8mm, 10mmX210mm,
- 10mm, 12mm, 14mmX260mm,
- Flat Chisel 20mmx250mm,40mmx250mm,
- Point Chisel 250mm,
- U Groove Chisel 250mm



Art.No.:RC-D014M 14 件套电锤钻 14pcs SDS Drill Bits Set

- Size:5mmX 1 10mm,
- 6mm, 8mm, 10mmX160mm,
- 8mm, 12mmX210mm,81mm,
- 10mm,12mm,14mmX260mm
- Flat Chisel 20mmx250mm, 40mmX250mm,
- Point Chisel 250mm,
- U Grdove Chisel 250mm



Art.No.:RC-D015P 15 件套电锤钻 15pcs SDS Drill Bits Set

- Size:5.5mm, 6mmX110mm
- 5.5mm, 6mm, 6.5mm,7mm, 8mm, 10mmx160mm
- 14mmX210mm
- 10mm,12mm,16mmX260mm
- Point chisel 14mmx250mm.
- Plat chisel14mmX250mmX20mm
- 14mmX250mmX40mm,
- U groove chisel 14mmX250mm



Art.No.:RC-D017A 17 件套电锤钻 17pcs SDS Drill Bits Set

- Size:5.5mm, 6mmX110mm,
- 5.5mm, 6mm, 6.5mm,7mm, 8mm, 10mmx160mm
- 14mmX210mm
- 10mm,12mm,16mmX260mm
- Point chisel 14mmx250mm,
- Plat chisel 14mmX250mmX20mm
- 14mmX250mmX40mm,
- U groove chisel 14mmX250mm



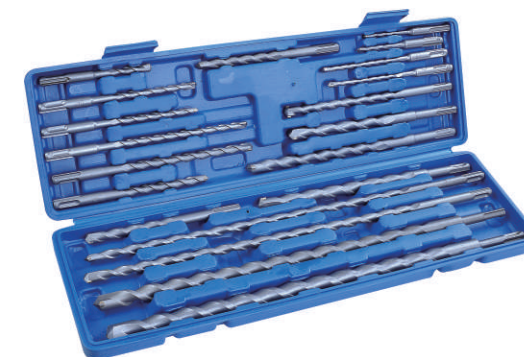
Art.No.:RC-D017P 17 件套电锤钻 17pcs SDS Drill Bits Set

- Size:5.5mm, 6mmX110mm
- 5.5mm, 6mm, 6.5mm,7mm, 8mm,10mmx160mm
- 14mmX210mm,
- 10mm,12mm, 16mmx260mm,
- Point chisel 14mmX250mm,
- Plat chisel 14mmx250mmx20mm
- 14mmX250mmX40mm,
- U groove chisel 14mmX250mm



Art.No.:RC-D017M 17 件套电锤钻 17pcs SDS Drill Bits Set

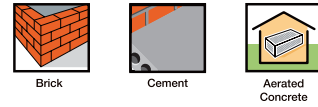
- Size: 5.5mm, 6mm×110mm ,
- 5.5mm, 6mm, 6.5mm,7mm, 8mm, 10mm×160mm,
- 14mm×210mm,
- 10mm, 12mm, 16mm×260mm,
- Point chisel 14mm×250mm,
- Plat chisel 14mm×250mm×20mm,
- 14mm×250mm×40mm,
- U groove chisel 14mm×250mmArt.No.:RC-D017P



Art.No.:RC-D020P 20 件套电锤钻 20pcs SDS Drill Bits Set

- Size: 5mm,6mm,8mm×110mm
- 6mm,6mm,8mm,8mm,10mm,10mm,12mm×160mm
- 8mm,10mm,12mm,14mm×110mm,
- 14mm×260mm,
- 16mm×250mm,
- 10, 12, 18, 20mm×450mm

It is a tool with wide application range and high efficiency for drilling, cutting and grooving in concrete and brick walls.



空心电锤钻

Hollow Electric Hammer Drills

Hollow Electric Hammer Drill is composed of guided drill and connecting rod. It can be fitted to various electric hammers as a boring tool for processing large holes. It is a novel tool for installation and decoration trade. The connecting rod of Hollow Electric Hammer Drill can be selected according to the following list of shank structure and the length according to customer requirements.

Art.No.:RC-D001

单支空心电锤钻 TCT Hole Saw Core Bit



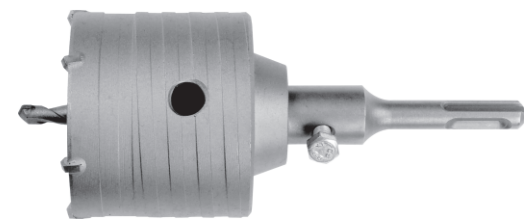
外径 Dia.(mm)	总长 Length(mm)	外径 Dia.(mm)	总长 Length(mm)	外径 Dia.(mm)	总长 Length(mm)
30	72	70	72	100	72
35	72	73	72	105	72
40	72	75	72	110	72
45	72	76	72	115	72
50	72	80	72	120	72
55	72	82	72	125	72
60	72	85	72	130	72
65	72	90	72	150	72
68	72	95	72	160	72



Art.No.:RC-D002

2件套开孔器 2pcs Hollow Electric Hammer Drills Set

Size: Dia 68mm,82mm
 2x centering drill 8x110mm,1xSDS plus adapter 110mm, 1x hexagon M6 mount

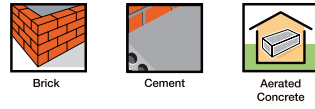


钢凿 Chisels

The chisel can be used with electric hammer and it is a widely applicable and highly efficient chiselling hole and groove tool for concrete and brick wall. Our chisel products include pointed chisels, small flat chisels, gouge and groove chisels. The chisel length can be selected according to the customer's requirements. The shank types can be selected according to the following list of shank structure.

	Part NO.	W(mm)	L(mm)
Point Chisel	RC-B01	—	250
Flat Chisel	RC-B02	20	250
Spade Chisel	RC-B03	40	250
Spade Chisel	RC-B04	40	250
Gouging Chisel	RC-B05	22	250
Winged Gouge	RC-B06	22	250
Point Chisel	RC-B07	—	280
		—	400
		—	600

It is a tool with wide application range and high efficiency for drilling, cutting and grooving in concrete and brick walls.



Point Chisel



编号 Code	宽度 W(mm)	长度 L(mm)
RC-B08	25	280

Spade Chisel



RC-B09	50	400
--------	----	-----

Gouging Chisel



RC-B10	22	250
--------	----	-----

Point Chisel



RC-B11	—	300
--------	---	-----

Flat Chisel



RC-B12	19	300
--------	----	-----

Spade Chisel



RC-B13	—	300
--------	---	-----

Spade Chisel



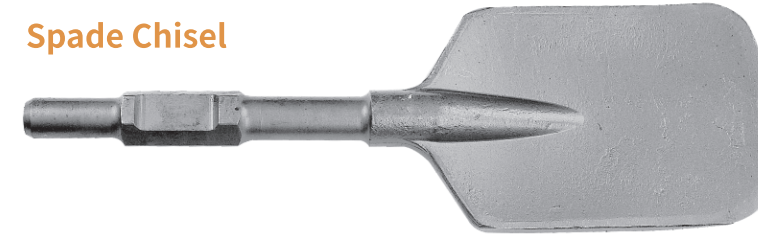
RC-B14	26	300
--------	----	-----

Gouging Chisel



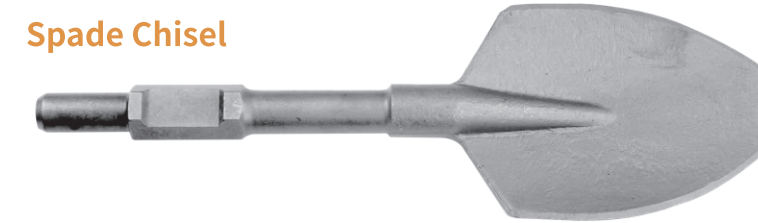
RC-B15	33	300
--------	----	-----

Spade Chisel



编号 Code	宽度 W(mm)	长度 L(mm)
RC-B16	35	380

Spade Chisel



RC-B17	14	250
--------	----	-----

Point Chisel



RC-B18	—	250
--------	---	-----

Flat Chisel



RC-B19	—	250
--------	---	-----

Point Chisel



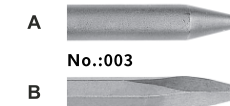
RC-B20	—	250
--------	---	-----

Point Chisel



RC-B21	—	250
--------	---	-----

尖凿 Pointed Chisel



小平凿 Small Flat Chisel

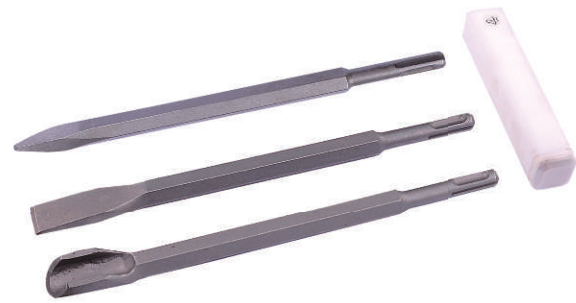
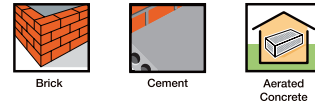


大平凿 Big Flat Chisel



注:A型身部为圆柱体B型身部为六角体
 NOTE:The body of Type A is cylinder. The body of Type B is hexagon

It is a tool with wide application range and high efficiency for drilling, cutting and grooving in concrete and brick walls.



Art.No.:RC-SE003P 3件套钢凿 3pcs Chisels Set

- Size: Flat Chisel 20×250mm
- Point Chisel 250mm
- U Groove Chisel 250mm



Art.No.:RC-SE003P 3件套钢凿 3pcs Chisels Set

- Size: Flat Chisel 20×250mm
- Flat Chisel 40×250mm
- U Groove Chisel 250mm



Art.No.:RC-SE004D 4件套钢凿 4pcs Chisels Set

- Size: Flat Chisel 20mm×250mm, 40mm×250mm
- Point Chisel 250mm
- U Groove Chisel 250mm

FORSTNER BITS/AUGER BIT/FLAT WOOD BIT



SELF FEEDING SCREW POINT PROVIDES FAST BORING IN HARD AND SOFT WOODS, FOR PRECISE AND EASY DRILLING CENTER DESIGN SOLID CENTER DESIGN PROVIDES EXTRA RIGIDITY AND POWER



COMPANY AIM: RONG CHENG TOOLS TOWARDS THE WHOLE WORLD WE CAN DESIGN PRODUCTS ACCORDING TO CUSTOMER'S REQUIREMENT WE HAVE QUALIFIED QC MEMBERS AND ADVANCED INNOVATION IDEAS WE ACCEPT OEM ORDERS



QUALITY GUARANTEEING 品质保证

- ※ QUALITY GUARANTEEING 品质保证
- ※ MATERIAL ANALYSIS 材质分析
- ※ METALLOGRAPHIC ANALYSIS 金相分析
- ※ RUST TEST 防锈测试
- ※ CUTTING TEST 切削试验

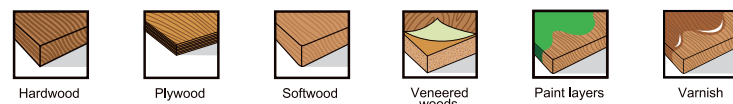


SINGLE SPUR CUTTING EDGE MAKE THE RAPID CHIP CLEARANCE, PRODUCING A FASTER CLEANER HOLE.

EITHER MADE FROM HIGH QUALITY CARBON STEEL OR EQUALITY BETTER MATERIALS



When they are used to punch holes on wood, synthetic plastic board, especially imported hard wood, their sharp punching property can be embodied;



明口平翼钻 Forstner bit Type A



Dia (mm)	Dia (inch)	Dia (mm)	Dia (inch)
6	1/4"	38	1-1/2"
8	5/16"	40	1-9/16"
10	3/8"	41	1-5/8"
11	7/16"	43	1-11/16"
12	15/32"	44	1-3/4"
13	1/2"	45	1-25/32"
14	9/16"	46	1-13/16"
15	19/32"	48	1-7/8"
16	5/8"	49	1-15/16"
18	11/16"	50	1-31/32"
19	3/4"	51	2"
20	25/32"	52	2-1/16"
21	13/16"	54	2-1/8"
22	7/8"	57	2-1/4"
24	15/16"	60	2-3/8"
25	1"	63	2-1/2"
26	1-1/32"	66	2-5/8"
27	1-1/16"	70	2-3/4"
28	1-1/8"	73	2-7/8"
30	1-3/16"	76	3"
32	1-1/4"	79	3-1/8"
34	1-5/16"	83	3-1/4"
35	1-3/8"	86	3-3/8"
36	1-7/16"	89	3-1/2"

多齿平翼钻 Forstner bit Type B



Dia (mm)	Dia (inch)	Dia (mm)	Dia (inch)
6	1/4"	38	1-1/2"
8	5/16"	40	1-9/16"
10	3/8"	41	1-5/8"
11	7/16"	43	1-11/16"
12	15/32"	44	1-3/4"
13	1/2"	45	1-25/32"
14	9/16"	46	1-13/16"
15	19/32"	48	1-7/8"
16	5/8"	49	1-15/16"
18	11/16"	50	1-31/32"
19	3/4"	51	2"
20	25/32"	52	2-1/16"
21	13/16"	54	2-1/8"
22	7/8"	57	2-1/4"
24	15/16"	60	2-3/8"
25	1"	63	2-1/2"
26	1-1/32"	66	2-5/8"
27	1-1/16"	70	2-3/4"
28	1-1/8"	73	2-7/8"
30	1-3/16"	76	3"
32	1-1/4"	79	3-1/8"
34	1-5/16"	83	3-1/4"
35	1-3/8"	86	3-3/8"
36	1-7/16"	89	3-1/2"

长城齿 Forstner bit Type C



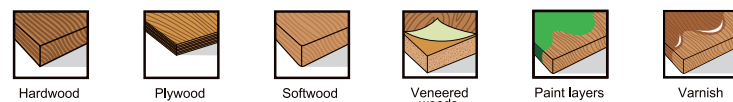
Dia (mm)	Dia (inch)	Dia (mm)	Dia (inch)
6	1/4"	38	1-1/2"
8	5/16"	40	1-9/16"
10	3/8"	41	1-5/8"
11	7/16"	43	1-11/16"
12	15/32"	44	1-3/4"
13	1/2"	45	1-25/32"
14	9/16"	46	1-13/16"
15	19/32"	48	1-7/8"
16	5/8"	49	1-15/16"
18	11/16"	50	1-31/32"
19	3/4"	51	2"
20	25/32"	52	2-1/16"
21	13/16"	54	2-1/8"
22	7/8"	57	2-1/4"
24	15/16"	60	2-3/8"
25	1"	63	2-1/2"
26	1-1/32"	66	2-5/8"
27	1-1/16"	70	2-3/4"
28	1-1/8"	73	2-7/8"
30	1-3/16"	76	3"
32	1-1/4"	79	3-1/8"
34	1-5/16"	83	3-1/4"
35	1-3/8"	86	3-3/8"
36	1-7/16"	89	3-1/2"

平刮钻 Forstner bit Type D



Dia (mm)	Dia (inch)
26	1-1/32"
28	1-1/8"
30	1-3/16"
35	1-3/8"

When they are used to punch holes on wood, synthetic plastic board, especially imported hard wood, their sharp punching property can be embodied;



自攻平翼钻 Forstner bit Type E



Dia (mm) Dia (inch)

18	11/16"
22	7/8"
25	1"
29	1-1/8"
32	1-1/4"
35	1-3/8"
38	1-1/2"
44	1-3/4"
51	2"
54	2-1/8"
57	2-1/4"
65	2-9/16"
73	2-7/8"
76	3"
86	3-3/8"
92	3-5/8"
116	4-9/16"

三刃平翼钻 Forstner bit Type F



Dia (mm) Dia (inch)

18	11/16"
22	7/8"
25	1"
29	1-1/8"
32	1-1/4"
35	1-3/8"
38	1-1/2"
44	1-3/4"
51	2"
54	2-1/8"
57	2-1/4"
65	2-9/16"
73	2-7/8"
76	3"
86	3-3/8"
92	3-5/8"
116	4-9/16"

强力平翼钻 Forstner bit Type G



Dia (mm) Dia (inch)

18	11/16"
22	7/8"
25	1"
29	1-1/8"
32	1-1/4"
35	1-3/8"
38	1-1/2"
44	1-3/4"
51	2"
54	2-1/8"
57	2-1/4"
65	2-9/16"
73	2-7/8"
76	3"
86	3-3/8"
92	3-5/8"
116	4-9/16"

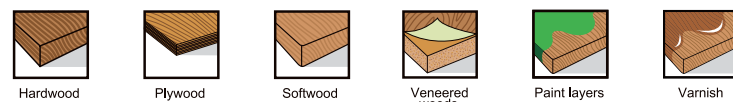
合金平翼钻 Forstner bit Type H



Dia (mm) Dia (inch)

6	1/4"	38	1-1/2"
8	5/16"	40	1-9/16"
10	3/8"	41	1-5/8"
11	7/16"	43	1-11/16"
12	15/32"	44	1-3/4"
13	1/2"	45	1-25/32"
14	9/16"	46	1-13/16"
15	19/32"	48	1-7/8"
16	5/8"	49	1-15/16"
18	11/16"	50	1-31/32"
19	3/4"	51	2"
20	25/32"	52	2-1/16"
21	13/16"	54	2-1/8"
22	7/8"	57	2-1/4"
24	15/16"	60	2-3/8"
25	1"	63	2-1/2"
26	1-1/32"	66	2-5/8"
27	1-1/16"	70	2-3/4"
28	1-1/8"	73	2-7/8"
30	1-3/16"	76	3"
32	1-1/4"	79	3-1/8"
34	1-5/16"	83	3-1/4"
35	1-3/8"	86	3-3/8"
36	1-7/16"	89	3-1/2"

When they are used to punch holes on wood, synthetic plastic board, especially imported hard wood, their sharp punching property can be embodied;



Art.No.:RC-F005W 5支装平翼钻 5 pcs Forstner Bits Set

Size: 15mm, 20mm, 25mm, 30mm, 35mm or
9/32", 25/32", 1-3/16, 1-3/8"



Art.No.:RC-F015W1 15支装平翼钻 15 pcs Forstner Bits Set

Size: 10mm, 12mm, 15mm, 16mm, 18mm, 20mm, 22mm, 25mm, 26mm, 28mm,
30mm, 35mm, 40mm, 45mm, 50mm or
3/8", 1/2", 9/16", 5/8", 11/16", 3/4", 7/8", 1", 1-1/16", 1-1/8", 1-3/16", 1-3/8",
1-9/16", 1-3/4", 1-15"



Art.No.:RC-F016W1 16支装平翼钻 16 pcs Forstner Bits Set

Size: 6, 10, 12, 16, 20, 22, 25, 28, 32, 35, 38, 41, 44, 48, 51, 54mm or
1/4", 3/8", 1/2", 5/8", 3/4", 7/8", 1", 1-1/8", 1-1/4", 1-3/8",
1-1/2", 1-5/8", 1-3/4", 1-7/8", 2", 2-1/8"



Art.No.:RC-CF08W1 合金平翼钻8支套木盒

Size: 1/4", 3/8", 1/2", 5/8", 3/4", 7/8", 1", 1-3/8"
L: 90



Art.No.:RC-F005P 5支装平翼钻 5 pcs Forstner Bits Set

Size: 15mm, 20mm, 25mm, 30mm, 35mm or
9/32", 25/32", 1-3/16, 1-3/8"



Art.No.:RC-F007P 7支装平翼钻 7 pcs Forstner Bits Set

Size: 12, 16, 20, 22, 26, 30, 35mm or
1/2", 5/8", 3/4", 7/8", 1", 1-3/16", 1-3/8"



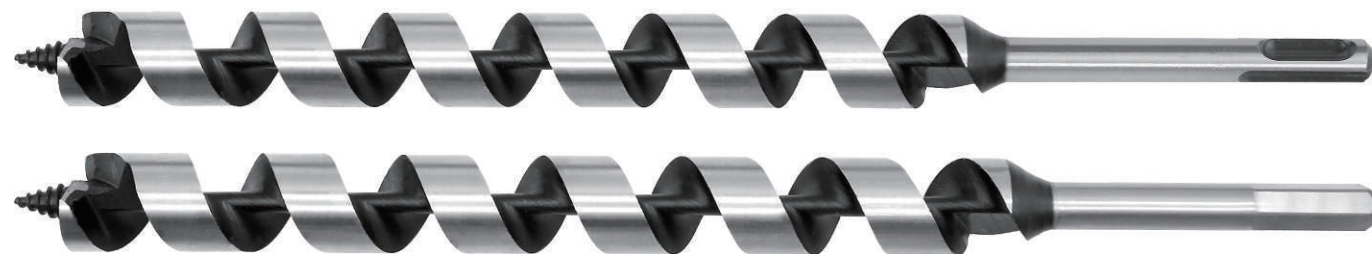
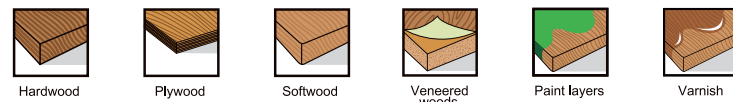
Art.No.:RC-F016P 16支装平翼钻 16 pcs Forstner Bits Set

Size: 6, 10, 12, 16, 20, 22, 25, 28, 32, 35, 38, 41, 44, 48, 51, 54mm or
1/4", 3/8", 1/2", 5/8", 3/4", 7/8", 1", 1-1/8", 1-1/4", 1-3/8",
1-1/2", 1-5/8", 1-3/4", 1-7/8", 2", 2-1/8"

RONG CHENG TOOLS Auger Bit

Drill for Wood

step-tip auger bits reduces the friction between the drill and wood considerably; self feeding screw pulls bit into wood for precise and easy drilling; oper throat and twist design for rapid chip clearance.



单槽支罗钻 Single flute auger bit

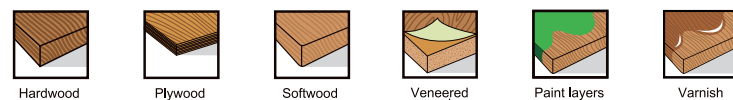
Part NO.	Size (mm)	Part NO.	Size (mm)	Part NO.	Size (mm)
RC-AA001	6×100	RC-AA026	6×150	RC-AA051	6×200
RC-AA002	8×100	RC-AA027	8×150	RC-AA052	8×200
RC-AA003	10×100	RC-AA028	10×150	RC-AA053	10×200
RC-AA004	12×100	RC-AA029	12×150	RC-AA054	12×200
RC-AA005	14×100	RC-AA030	14×150	RC-AA055	14×200
RC-AA006	16×100	RC-AA031	16×150	RC-AA056	16×200
RC-AA007	18×100	RC-AA032	18×150	RC-AA057	18×200
RC-AA008	19×100	RC-AA033	19×150	RC-AA058	19×200
RC-AA009	20×100	RC-AA034	20×150	RC-AA059	20×200
RC-AA010	22×100	RC-AA035	22×150	RC-AA060	22×200
RC-AA011	24×100	RC-AA036	24×150	RC-AA061	24×200
RC-AA012	25×100	RC-AA037	25×150	RC-AA062	25×200
RC-AA013	26×100	RC-AA038	26×150	RC-AA063	26×200
RC-AA014	28×100	RC-AA039	28×150	RC-AA064	28×200
RC-AA015	30×100	RC-AA040	30×150	RC-AA065	30×200
RC-AA016	32×100	RC-AA041	32×150	RC-AA066	32×200
RC-AA017	34×100	RC-AA042	34×150	RC-AA067	34×200
RC-AA018	36×100	RC-AA043	36×150	RC-AA068	36×200
RC-AA019	38×100	RC-AA044	38×150	RC-AA069	38×200
RC-AA020	40×100	RC-AA045	40×150	RC-AA070	40×200
RC-AA021	42×100	RC-AA046	42×150	RC-AA071	42×200
RC-AA022	44×100	RC-AA047	44×150	RC-AA072	44×200
RC-AA023	46×100	RC-AA048	46×150	RC-AA073	46×200
RC-AA024	48×100	RC-AA049	48×150	RC-AA074	48×200
RC-AA025	50×100	RC-AA050	50×150	RC-AA075	50×200
RC-AA076	6×230	RC-AA085	22×230	RC-AA093	36×230
RC-AA077	8×230	RC-AA086	24×230	RC-AA094	38×230
RC-AA078	10×230	RC-AA087	25×230	RC-AA095	40×230
RC-AA079	12×230	RC-AA088	26×230	RC-AA096	42×230
RC-AA080	14×230	RC-AA089	28×230	RC-AA097	44×230
RC-AA081	16×230	RC-AA090	30×230	RC-AA098	46×230
RC-AA082	18×230	RC-AA091	32×230	RC-AA099	48×230
RC-AA083	19×230	RC-AA092	34×230	RC-AA100	50×230
RC-AA084	20×230				

RCT RONG CHENG TOOLS

AUGER BIT
DRILL FOR WOOD

Part NO.	Size (mm)	Part NO.	Size (mm)	Part NO.	Size (mm)
RC-AA100	6×300	RC-AA125	6×400	RC-AA150	6×460
RC-AA101	8×300	RC-AA126	8×400	RC-AA151	8×460
RC-AA102	10×300	RC-AA127	10×400	RC-AA152	10×460
RC-AA103	12×300	RC-AA128	12×400	RC-AA153	12×460
RC-AA104	14×300	RC-AA129	14×400	RC-AA154	14×460
RC-AA105	16×300	RC-AA130	16×400	RC-AA155	16×460
RC-AA106	18×300	RC-AA131	18×400	RC-AA156	18×460
RC-AA107	19×300	RC-AA132	19×400	RC-AA157	19×460
RC-AA108	20×300	RC-AA133	20×400	RC-AA158	20×460
RC-AA109	22×300	RC-AA134	22×400	RC-AA159	22×460
RC-AA110	24×300	RC-AA135	24×400	RC-AA160	24×460
RC-AA111	25×300	RC-AA136	25×400	RC-AA161	25×460
RC-AA112	26×300	RC-AA137	26×400	RC-AA162	26×460
RC-AA113	28×300	RC-AA138	28×400	RC-AA163	28×460
RC-AA114	30×300	RC-AA139	30×400	RC-AA164	30×460
RC-AA115	32×300	RC-AA140	32×400	RC-AA165	32×460
RC-AA116	34×300	RC-AA141	34×400	RC-AA166	34×460
RC-AA117	36×300	RC-AA142	36×400	RC-AA167	36×460
RC-AA118	38×300	RC-AA143	38×400	RC-AA168	38×460
RC-AA119	40×300	RC-AA144	40×400	RC-AA169	40×460
RC-AA120	42×300	RC-AA145	42×400	RC-AA170	42×460
RC-AA121	44×300	RC-AA146	44×400	RC-AA171	44×460
RC-AA122	46×300	RC-AA147	46×400	RC-AA172	46×460
RC-AA123	48×300	RC-AA148	48×400	RC-AA173	48×460
RC-AA124	50×300	RC-AA149	50×400	RC-AA174	50×460
RC-AA253	6×600	RC-AA278	6×760	RC-AA303	6×1200
RC-AA254	8×600	RC-AA279	8×760	RC-AA304	8×1200
RC-AA255	10×600	RC-AA280	10×760	RC-AA305	10×1200
RC-AA256	12×600	RC-AA281	12×760	RC-AA306	12×1200
RC-AA257	14×600	RC-AA282	14×760	RC-AA307	14×1200
RC-AA258	16×600	RC-AA283	16×760	RC-AA308	16×1200
RC-AA259	18×600	RC-AA284	18×760	RC-AA309	18×1200
RC-AA260	19×600	RC-AA285	19×760	RC-AA310	19×1200
RC-AA261	20×600	RC-AA286	20×760	RC-AA311	20×1200
RC-AA262	22×600	RC-AA287	22×760	RC-AA312	22×1200
RC-AA263	24×600	RC-AA288	24×760	RC-AA313	24×1200
RC-AA264	25×600	RC-AA289	25×760	RC-AA314	25×1200
RC-AA265	26×600	RC-AA290	26×760	RC-AA315	26×1200
RC-AA266	28×600	RC-AA291	28×760	RC-AA316	28×1200
RC-AA267	30×600	RC-AA292	30×760	RC-AA317	30×1200
RC-AA268	32×600	RC-AA293	32×760	RC-AA318	32×1200
RC-AA269	34×600	RC-AA294	34×760	RC-AA319	34×1200
RC-AA270	36×600	RC-AA295	36×760	RC-AA320	36×1200

step-tip auger bits reduces the friction between the drill and wood considerably; self feeding screw pulls bit into wood for precise and easy drilling; oper throat and twist design for rapid chip clearance.



Part NO.	Size (mm)	Part NO.	Size (mm)	Part NO.	Size (mm)
RC-AA271	38×600	RC-AA296	38×760	RC-AA321	38×1200
RC-AA272	40×600	RC-AA297	40×760	RC-AA322	40×1200
RC-AA273	42×600	RC-AA298	42×760	RC-AA323	42×1200
RC-AA274	44×600	RC-AA299	44×760	RC-AA324	44×1200
RC-AA275	46×600	RC-AA300	46×760	RC-AA325	46×1200
RC-AA276	48×600	RC-AA301	48×760	RC-AA326	48×1200
RC-AA277	50×600	RC-AA302	50×760	RC-AA327	50×1200

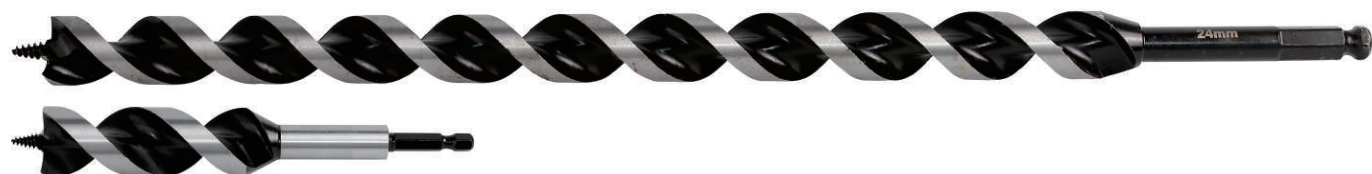
单槽无筋支罗钻 Ship auger bit



Part NO.	Size (mm)	Part NO.	Size (mm)	Part NO.	Size (mm)
RC-AE001	9.5×165	RC-AE006	20.6×165	RC-AE011	28.6×165
RC-AE002	12.7×165	RC-AE007	22.2×165	RC-AE012	31.8×165
RC-AE003	15.9×165	RC-AE008	23.8×165	RC-AE013	43.9×165
RC-AE004	17.5×165	RC-AE009	54.4×165	RC-AE014	38.1×165
RC-AE005	19.1×165	RC-AE010	27×165		

Part NO.	Size (mm)	Part NO.	Size (mm)	Part NO.	Size (mm)
RC-AE015	9.5×460	RC-AE020	20.6×460	RC-AE025	28.6×460
RC-AE016	12.7×460	RC-AE021	22.2×460	RC-AE026	31.8×460
RC-AE017	15.9×460	RC-AE022	23.8×460	RC-AE027	43.9×460
RC-AE018	17.5×460	RC-AE023	54.4×460	RC-AE028	38.1×460
RC-AE019	19.1×460	RC-AE024	27×460		

双槽支罗钻 Double flute auger bit



Part NO.	Size (mm)	Part NO.	Size (mm)	Part NO.	Size (mm)
RC-AB001	10×165	RC-AB051	10×230	RC-AB076	10×460
RC-AB002	11×165	RC-AB052	11×230	RC-AB077	11×460
RC-AB003	12×165	RC-AB053	12×230	RC-AB078	12×460
RC-AB004	13×165	RC-AB054	13×230	RC-AB079	13×460
RC-AB005	15×165	RC-AB055	15×230	RC-AB080	15×460

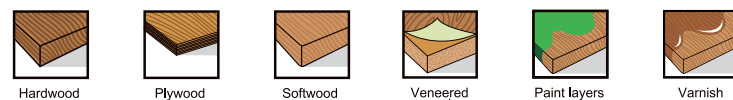
Part NO.	Size (mm)	Part NO.	Size (mm)	Part NO.	Size (mm)
RC-AB006	16×165	RC-AB056	16×230	RC-AB081	16×460
RC-AB007	18×165	RC-AB057	18×230	RC-AB082	18×460
RC-AB008	19×165	RC-AB058	19×230	RC-AB083	19×460
RC-AB009	20×165	RC-AB059	20×230	RC-AB084	20×460
RC-AB010	21×165	RC-AB060	21×230	RC-AB085	21×460
RC-AB011	22×165	RC-AB061	22×230	RC-AB086	22×460
RC-AB012	24×165	RC-AB062	24×230	RC-AB087	24×460
RC-AB013	25×165	RC-AB063	25×230	RC-AB088	25×460
RC-AB014	27×165	RC-AB064	27×230	RC-AB089	27×460
RC-AB015	30×165	RC-AB065	30×230	RC-AB090	30×460
RC-AB016	32×165	RC-AB066	32×230	RC-AB091	32×460
RC-AB017	34×165	RC-AB067	34×230	RC-AB092	34×460
RC-AB018	36×165	RC-AB068	36×230	RC-AB093	36×230
RC-AB019	38×165	RC-AB069	38×230	RC-AB094	38×230
RC-AB020	40×165	RC-AB070	40×230	RC-AB095	40×230
RC-AB021	42×165	RC-AB071	42×230	RC-AB096	42×230
RC-AB022	44×165	RC-AB072	44×230	RC-AB097	44×230
RC-AB023	46×165	RC-AB073	46×230	RC-AB098	46×230
RC-AB024	48×165	RC-AB074	48×230	RC-AB099	48×230
RC-AB025	50×165	RC-AB075	50×230	RC-AB100	50×230

双刃立刃支罗钻 Auger bit(Double slot with four point)



Part NO.	Size (mm)	Part NO.	Size (mm)	Part NO.	Size (mm)
RC-AD001	10×165	RC-AD030	10×230	RC-AD060	10×460
RC-AD002	11×165	RC-AD031	11×230	RC-AD061	11×460
RC-AD003	12×165	RC-AD032	12×230	RC-AD062	12×460
RC-AD004	13×165	RC-AD033	13×230	RC-AD063	13×460
RC-AD005	15×165	RC-AD034	15×230	RC-AD064	15×460
RC-AD006	16×165	RC-AD035	16×230	RC-AD065	16×460
RC-AD007	18×165	RC-AD036	18×230	RC-AD066	18×460
RC-AD008	19×165	RC-AD037	19×230	RC-AD067	19×460
RC-AD009	20×165	RC-AD038	20×230	RC-AD068	20×460
RC-AD010	21×165	RC-AD039	21×230	RC-AD069	21×460
RC-AD011	22×165	RC-AD040	22×230	RC-AD070	22×460
RC-AD012	24×165	RC-AD041	24×230	RC-AD071	24×460

step-tip auger bits reduces the friction between the drill and wood considerably; self feeding screw pulls bit into wood for precise and easy drilling; oper throat and twist design for rapid chip clearance.



Part NO.	Size (mm)	Part NO.	Size (mm)	Part NO.	Size (mm)
RC-AD013	25×165	RC-AD042	25×230	RC-AD072	25×460
RC-AD014	27×165	RC-AD043	27×230	RC-AD073	27×460
RC-AD015	30×165	RC-AD044	30×230	RC-AD074	30×460
RC-AD016	32×165	RC-AD045	32×230	RC-AD075	32×460
RC-AD017	34×165	RC-AD046	34×230	RC-AD076	34×460
RC-AD018	36×165	RC-AD047	36×230	RC-AD077	36×460
RC-AD019	38×165	RC-AD048	38×230	RC-AD078	38×460
RC-AD020	40×165	RC-AD049	40×230	RC-AD079	40×460
RC-AD021	32×165	RC-AD050	32×230	RC-AD080	32×460
RC-AD022	34×165	RC-AD051	34×230	RC-AD081	34×460
RC-AD023	36×165	RC-AD052	36×230	RC-AD082	36×460
RC-AD024	38×165	RC-AD053	38×230	RC-AD083	38×460
RC-AD025	40×165	RC-AD054	40×230	RC-AB084	40×460
RC-AD026	42×165	RC-AD055	42×230	RC-AB085	42×460
RC-AD027	44×165	RC-AD056	44×230	RC-AB086	44×460
RC-AD028	46×165	RC-AD057	46×230	RC-AB087	46×460
RC-AD029	48×165	RC-AD058	48×230	RC-AB088	48×460
RC-AD030	50×165	RC-AD059	50×230	RC-AB089	50×460

三槽支罗钻 **Tri-flute auger bit**



Part NO.	Size (mm)	Part NO.	Size (mm)	Part NO.	Size (mm)
RC-AG001	10×165	RC-AG008	25×165	RC-AG015	38×165
RC-AG002	13×165	RC-AG009	26×165	RC-AG016	40×165
RC-AG003	14×165	RC-AG010	28×165	RC-AG017	42×165
RC-AG004	16×165	RC-AG011	30×165	RC-AG018	44×165
RC-AG005	19×165	RC-AG012	32×165	RC-AG019	46×165
RC-AG006	22×165	RC-AG013	34×165	RC-AG020	48×165
RC-AG007	24×165	RC-AG014	36×165	RC-AG021	50×165

四槽支罗钻 **Four flute auger bit**



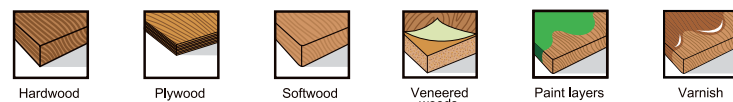
Part NO.	Size (mm)	Part NO.	Size (mm)	Part NO.	Size (mm)
RC-AH001	10×165	RC-AH008	32×165	RC-AH015	38×165
RC-AH002	13×165	RC-AH009	34×165	RC-AH016	40×165
RC-AH003	14×165	RC-AH010	36×165	RC-AH017	42×165
RC-AH004	16×165	RC-AH011	25×165	RC-AH018	44×165
RC-AH005	19×165	RC-AH012	26×165	RC-AH019	46×165
RC-AH006	22×165	RC-AH013	28×165	RC-AH020	48×165
RC-AH007	24×165	RC-AH014	30×165	RC-AH021	50×165

单槽无筋打钉支罗钻 **ship auger bit**



Part NO.	Size (mm)	Part NO.	Size (mm)	Part NO.	Size (mm)
RC-AF001	10×165	RC-AF020	10×230	RC-AF039	10×460
RC-AF002	11×165	RC-AF021	11×230	RC-AF040	11×460
RC-AF003	12×165	RC-AF022	12×230	RC-AF041	12×460
RC-AF004	13×165	RC-AF023	13×230	RC-AF042	13×460
RC-AF005	15×165	RC-AF024	15×230	RC-AF043	15×460
RC-AF006	16×165	RC-AF025	16×230	RC-AF044	16×460
RC-AF007	18×165	RC-AF026	18×230	RC-AF045	18×460
RC-AF008	19×165	RC-AF027	19×230	RC-AF046	19×460
RC-AF009	20×165	RC-AF028	20×230	RC-AF047	20×460
RC-AF010	21×165	RC-AF029	21×230	RC-AF048	21×460
RC-AF011	22×165	RC-AF030	22×230	RC-AF049	22×460
RC-AF012	24×165	RC-AF031	24×230	RC-AF050	24×460
RC-AF013	25×165	RC-AF032	25×230	RC-AF051	25×460
RC-AF014	27×165	RC-AF033	27×230	RC-AF052	27×460
RC-AF015	30×165	RC-AF034	30×230	RC-AF053	30×460
RC-AF016	32×165	RC-AF035	32×230	RC-AF054	32×460
RC-AF017	34×165	RC-AF036	34×230	RC-AF055	34×460
RC-AF018	36×165	RC-AF037	36×230	RC-AF056	36×460
RC-AF019	38×165	RC-AF038	38×230	RC-AF057	38×460

step-tip auger bits reduces the friction between the drill and wood considerably; self feeding screw pulls bit into wood for precise and easy drilling; oper throat and twist design for rapid chip clearance.



双槽木工钻 Double slot woodworking drill



Part NO.	Size (mm)	Part NO.	Size (mm)	Part NO.	Size (mm)
RC-PA001	12×165	RC-PA003	19×165	RC-PA005	25×165
RC-PA002	16×165	RC-PA004	22×165	RC-PA006	32×165
Part NO.	Size (mm)	Part NO.	Size (mm)	Part NO.	Size (mm)
RC-PA007	12×400	RC-PA009	19×400	RC-PA011	25×400
RC-PA008	16×400	RC-PA010	22×400	RC-PA012	32×165

双槽双翼木工钻 Double slot double wing woodworking drill



Part NO.	Size (mm)	Part NO.	Size (mm)	Part NO.	Size (mm)
RC-PB001	12×165	RC-PB003	19×165	RC-PB005	25×165
RC-PB002	16×165	RC-PB004	22×165	RC-PB006	32×165
Part NO.	Size (mm)	Part NO.	Size (mm)	Part NO.	Size (mm)
RC-PB007	12×400	RC-PB009	19×400	RC-PB011	25×400
RC-PB008	16×400	RC-PB010	22×400	RC-PB012	32×400



RC-AB03P1 双槽支罗钻3支套塑盒
Size:1/2", 3/4", 1" L:6-1/2"



RC-AA05P1 单槽支罗钻5支套塑盒
Size:10, 13, 16, 19, 25 L:230



RC-AB06P1 双槽支罗钻6支套塑盒
Size:1/2", 5/8", 3/4", 7/8", 1", 1-1/4" L:6-1/2"



RC-AA06AC1 单槽支罗钻6支套铝盒
Size:1/4", 5/16", 3/8", 1/2", 9/16", 3/4" L:460



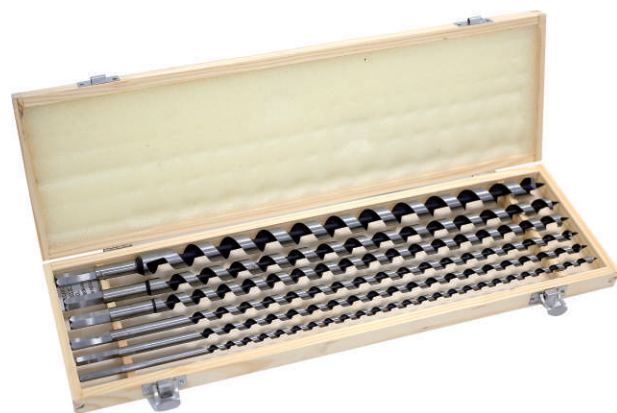
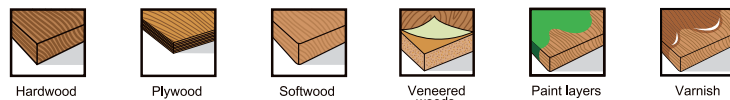
RC-AA07AC1 单槽支罗钻7支套铝盒
Size:10/12/14/16/18/20/25mm L:460

HC-AA01M1 单槽支罗钻8支套铝盒
Size:6/8/10/13/16/19/22/25mm L:230

RC-AA08AC2 单槽支罗钻8支套铝盒
Size:6/8/10/12/14/16/18/25mm L:460

RC-AA08AC1 单槽支罗钻8支套铝盒
Size:6/8/10/12/14/16/18/20mm L:460

step-tip auger bits reduces the friction between the drill and wood considerably; self feeding screw pulls bit into wood for precise and easy drilling; oper throat and twist design for rapid chip clearance.



RC-AA06W1 单槽支罗钻6支套木盒

Size:10/12/14/16/18/20mm L:230mm

RC-AA07W1 单槽支罗钻7支套木盒

Size:6/8/10/13/16/19/22/25mm L:230mm

RC-AA07W2 单槽支罗钻7支套木盒

Size:6/10/12/16/19/22/25mm L:230mm

RC-AA08W1 单槽支罗钻8支套木盒

Size:6/8/10/12/14/16/18/20mm L:230mm



HC-AA08W1 单槽支罗钻8支套铝盒

Size:6/8/10/13/16/19/22/25mm L:230mm

RC-SAA08W3 单槽支罗钻8支套铝盒

Size:10/12/14/16/18/20/22/25mm L:230mm

HC-AA06W1 单槽支罗钻6支套木盒

Size:1/4"、5/16"、3/8"、1/2"、9/16"、3/4" L:460mm



三尖扁钻 Tri-point flat wood drill



三尖横刃扁钻 Tri-point paddle spade drill bit



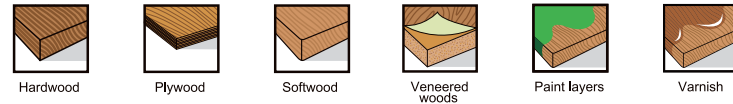
编号 Part No.	直径 Diameter	总长 Length (mm)	编号 Part No.	直径 Diameter	总长 Length (mm)	编号 Part No.	直径 Diameter	总长 Length (mm)
RC-01	6	152	RC-19	28	152	RC-37	18	400
RC-02	8	152	RC-20	30	152	RC-38	19	400
RC-03	10	152	RC-21	32	152	RC-39	20	400
RC-04	11	152	RC-22	34	152	RC-40	22	400
RC-05	12	152	RC-23	35	152	RC-41	23	400
RC-06	13	152	RC-24	36	152	RC-42	24	400
RC-07	14	152	RC-25	38	152	RC-43	25	400
RC-08	15	152	RC-26	40	152	RC-44	26	400
RC-09	16	152	RC-27	6	400	RC-45	28	400
RC-10	17	152	RC-28	8	400	RC-46	30	400
RC-11	18	152	RC-29	10	400	RC-47	32	400
RC-12	19	152	RC-30	11	400	RC-48	34	400
RC-13	20	152	RC-31	12	400	RC-49	35	400
RC-14	22	152	RC-32	13	400	RC-50	36	400
RC-15	23	152	RC-33	14	400	RC-51	38	400
RC-16	24	152	RC-34	15	400	RC-52	40	400
RC-17	25	152	RC-35	16	400			
RC-18	26	152	RC-36	17	400			

自攻头半圆扁钻 Self feed spade flat screw tip wood drill bit



编号 Part No.	直径 Diameter	总长 Length (mm)	编号 Part No.	直径 Diameter	总长 Length (mm)	编号 Part No.	直径 Diameter	总长 Length (mm)
RC-SC01	6	152	RC-SC19	28	152	RC-SC37	18	400
RC-SC02	8	152	RC-SC20	30	152	RC-SC38	19	400
RC-SC03	10	152	RC-SC21	32	152	RC-SC39	20	400
RC-SC04	11	152	RC-SC22	34	152	RC-SC40	22	400
RC-SC05	12	152	RC-SC23	35	152	RC-SC41	23	400
RC-SC06	13	152	RC-SC24	36	152	RC-SC42	24	400
RC-SC07	14	152	RC-SC25	38	152	RC-SC43	25	400
RC-SC08	15	152	RC-SC26	40	152	RC-SC44	26	400
RC-SC09	16	152	RC-SC27	6	400	RC-SC45	28	400
RC-SC10	17	152	RC-SC28	8	400	RC-SC46	30	400
RC-SC11	18	152	RC-SC29	10	400	RC-SC47	32	400
RC-SC12	19	152	RC-SC30	11	400	RC-SC48	34	400
RC-SC13	20	152	RC-SC31	12	400	RC-SC49	35	400
RC-SC14	22	152	RC-SC32	13	400	RC-SC50	36	400
RC-SC15	23	152	RC-SC33	14	400	RC-SC51	38	400
RC-SC16	24	152	RC-SC34	15	400	RC-SC52	40	400
RC-SC17	25	152	RC-SC35	16	400			
RC-SC18	26	152	RC-SC36	17	400			

step-tip auger bits reduces the friction between the drill and wood considerably; self feeding screw pulls bit into wood for precise and easy drilling; oper throat and twist design for rapid chip clearance.



三尖半圆扁钻 Tri-point semicircle spade bit



编号 Part No.	直径 Diameter	总长 Length (mm)	编号 Part No.	直径 Diameter	总长 Length (mm)	编号 Part No.	直径 Diameter	总长 Length (mm)
RC-SE01	6	152	RC-SE19	28	152	RC-SE37	18	400
RC-SE02	8	152	RC-SE20	30	152	RC-SE38	19	400
RC-SE03	10	152	RC-SE21	32	152	RC-SE39	20	400
RC-SE04	11	152	RC-SE22	34	152	RC-SE40	22	400
RC-SE05	12	152	RC-SE23	35	152	RC-SE41	23	400
RC-SE06	13	152	RC-SE24	36	152	RC-SE42	24	400
RC-SE07	14	152	RC-SE25	38	152	RC-SE43	25	400
RC-SE08	15	152	RC-SE26	40	152	RC-SE44	26	400
RC-SE09	16	152	RC-SE27	6	400	RC-SE45	28	400
RC-SE10	17	152	RC-SE28	8	400	RC-SE46	30	400
RC-SE11	18	152	RC-SE29	10	400	RC-SE47	32	400
RC-SE12	19	152	RC-SE30	11	400	RC-SE48	34	400
RC-SE13	20	152	RC-SE31	12	400	RC-SE49	35	400
RC-SE14	22	152	RC-SE32	13	400	RC-SE50	36	400
RC-SE15	23	152	RC-SE33	14	400	RC-SE51	38	400
RC-SE16	24	152	RC-SE34	15	400	RC-SE52	40	400
RC-SE17	25	152	RC-SE35	16	400			
RC-SE18	26	152	RC-SE36	17	400			

强力三尖扁钻

Powerful flat drill



编号 Part No.	直径 Diameter	总长 Length (mm)	编号 Part No.	直径 Diameter	总长 Length (mm)	编号 Part No.	直径 Diameter	总长 Length (mm)
RC-SF01	6	152	RC-SF19	28	152	RC-SF37	18	400
RC-SF02	8	152	RC-SF20	30	152	RC-SF38	19	400
RC-SF03	10	152	RC-SF21	32	152	RC-SF39	20	400
RC-SF04	11	152	RC-SF22	34	152	RC-SF40	22	400
RC-SF05	12	152	RC-SF23	35	152	RC-SF41	23	400
RC-SF06	13	152	RC-SF24	36	152	RC-SF42	24	400
RC-SF07	14	152	RC-SF25	38	152	RC-SF43	25	400
RC-SF08	15	152	RC-SF26	40	152	RC-SF44	26	400
RC-SF09	16	152	RC-SF27	6	400	RC-SF45	28	400
RC-SF10	17	152	RC-SF28	8	400	RC-SF46	30	400
RC-SF11	18	152	RC-SF29	10	400	RC-SF47	32	400
RC-SF12	19	152	RC-SF30	11	400	RC-SF48	34	400
RC-SF13	20	152	RC-SF31	12	400	RC-SF49	35	400
RC-SF14	22	152	RC-SF32	13	400	RC-SF50	36	400
RC-SF15	23	152	RC-SF33	14	400	RC-SF51	38	400
RC-SF16	24	152	RC-SF34	15	400	RC-SF52	40	400
RC-SF17	25	152	RC-SF35	16	400			
RC-SF18	26	152	RC-SF36	17	400			

强力打钉扁钻 Pointed flat nail drill



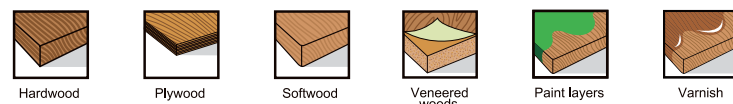
编号 Part No.	直径 Diameter	总长 Length (mm)	编号 Part No.	直径 Diameter	总长 Length (mm)	编号 Part No.	直径 Diameter	总长 Length (mm)
RC-SG01	6	152	RE-G19	28	152	RE-G37	18	400
RE-G02	8	152	RE-G20	30	152	RE-G38	19	400
RE-G03	10	152	RE-G21	32	152	RE-G39	20	400
RE-G04	11	152	RE-G22	34	152	RE-G40	22	400
RE-G05	12	152	RE-G23	35	152	RE-G41	23	400
RE-G06	13	152	RE-G24	36	152	RE-G42	24	400
RE-G07	14	152	RE-G25	38	152	RE-G43	25	400
RE-G08	15	152	RE-G26	40	152	RE-G44	26	400
RE-G09	16	152	RE-G27	6	400	RE-G45	28	400
RE-G10	17	152	RE-G28	8	400	RE-G46	30	400
RE-G11	18	152	RE-G29	10	400	RE-G47	32	400
RE-G12	19	152	RE-G30	11	400	RE-G48	34	400
RE-G13	20	152	RE-G31	12	400	RE-G49	35	400
RE-G14	22	152	RE-G32	13	400	RE-G50	36	400
RE-G15	23	152	RE-G33	14	400	RE-G51	38	400
RE-G16	24	152	RE-G34	15	400	RE-G52	40	400
RE-G17	25	152	RE-G35	16	400			
RE-G18	26	152	RE-G36	17	400			

合金木工钻 wood drill bit with carbide tip



编号 Part No.	直径 Diameter	总长 Length (mm)	编号 Part No.	直径 Diameter	总长 Length (mm)	编号 Part No.	直径 Diameter	总长 Length (mm)
RC-F01	6	120	RC-F01	6	200	RC-F01	6	300
RC-F02	8	120	RC-F02	8	200	RC-F02	8	300
RC-F03	10	120	RC-F03	10	200	RC-F03	10	300
RC-F04	12	120	RC-F04	12	200	RC-F04	12	300

step-tip auger bits reduces the friction between the drill and wood considerably;self feeding screw pulls bit into wood for precise and easy drilling;oper throat and twist design for rapid chip clearance.



RC-SA06C1/RC-SB06C1/RC-SC06C1

Size: 12,16,20,22,25,32

1/2",5/8",3/4",7/8",1",1-1/4"

L: 6"



RC-SA13C1/RC-SB13C1/RC-SC13C1

Size: 1/4",5/16",3/8",1/2",9/16",5/8",5/4",7/8",1",1-1/8",1-1/4",

1-3/8",1-1/2"

L: 6"

RC-SA14C1/RC-SB14C1/RC-SC14C1

Size: 6,8,10,11,12,14,16,18,20, 21,22,24,25,28

1/4",5/10",3/8",7/16, 1/2",9/10",5/8",11/16",3/4",13/16",7/8",

15/18", 1",1-1/8"

L: 6"



RC-SA10P1/RC-SB10P1/RC-SC10P1

Size: 1/4",3/8",1/2",9/16",5/8",3/4",7/8",1",1-1/8",1-1/4"

L: 6"

RC-SA12P1/RC-SB12P1/RC-SC12P1

Size: 1/4",5/16",3/8",7/16",1/2",9/16",5/8",11/16",3/4",

13/16",7/8",15/16",1",1-1/8"

L: 6"

RC-SA14P1/RC-SB14P1/RC-SC14P1

Size: 1/4",5/16",3/8",7/16",1/2",9/16",5/8",11/16",3/4",

13/16",7/8",15/16",1",1-1/8"

L: 6"

RC-SA14W1/RC-SB14W1/RC-SC14W1

Size: 1/4",5/16",3/8",7/16",1/2",9/16",5/8",11/16",3/4",

13/16",7/8",15/16",1",1-1/8"

L: 6"

